



Installation Instructions

PART NUMBERS: 36548, 90243, 06946,

! WARNING

To prevent SERIOUS INJURY, DEATH or PROPERTY DAMAGE:

- **ALWAYS read, understand and follow warnings and instructions for your hitch BEFORE installation. Keep for future reference.**
- **DO NOT cut, weld or modify this receiver.**
- **CHECK all fasteners are tight and your hitch is securely mounted to your vehicle periodically.**
- **ALWAYS read, understand and follow all warnings and instructions for your vehicle and for other accessories you will use with your hitch BEFORE use.**
- **LOAD the trailer heavier in front.**
- **DO NOT exceed lower of towing vehicle manufacturer’s rating or:**

Hitch Type	Max Gross Trailer Weight	Max Tongue Weight
Weight Carrying	3500lb. (1587kg)	300lb. (136kg)
Weight Distributing	N/A	N/A

- **ALWAYS wear your seatbelt.**
- **SLOW DOWN when towing, NEVER exceed any posted speed limit.**
- **If EXCESS SWAY occurs, take your foot off the gas pedal and hold the steering wheel as steady as possible. DO NOT apply your brakes and DO NOT speed up.**

LIMITED LIFETIME WARRANTY

1. **Limited Lifetime Warranty (“Warranty”).** Cequent Performance Products, Inc. (“We”, “Us” or “Our”) warrants to the original consumer purchaser only (“You” or “Your”) that the product will be free from material defects in both material and workmanship, ordinary wear and tear excepted. The Warranty is valid only if (a) the products are returned to Us for inspection and testing; (b) Our inspection discloses to Our satisfaction that any alleged nonconformance are material and have not been caused by misuse, neglect, wear and tear, improper installation, unsuitable storage, improper repair, alteration, or accident; and (c) the products were installed, maintained and used in accordance with Our instructions. THE WARRANTY IS MADE IN LIEU OF ALL OTHER WARRANTIES, EXPRESS OR IMPLIED (OTHER THAN THE WARRANTY OF TITLE AS PROVIDED BY THE UNIFORM COMMERCIAL CODE IN EFFECT IN MICHIGAN), INCLUDING WITHOUT LIMITATION, ANY WARRANTIES OF MERCHANTABILITY OR FITNESS FOR A PARTICULAR PURPOSE, SAID WARRANTIES BEING EXPRESSLY DISCLAIMED.
2. **Obligations of Purchaser.** To make a Warranty claim, contact Us at our principal address of 47912 Halyard Drive, Suite 100, Plymouth, MI 48170, 1-800-632-3290, identify the product by model number, and follow the claim instructions that will be provided. Any returned product that is replaced by Us becomes our property. You may be responsible for return shipping costs. Please retain your purchase receipt to verify date of purchase and that You are the original consumer purchaser. The product and the purchase receipt must be provided to Us in order to process Your Warranty claim.
3. **Exclusive Remedy.** Product replacement is Your sole and exclusive remedy under this Warranty. We shall not be liable for service or labor charges incurred in removing or replacing a product. IN NO EVENT WILL WE BE RESPONSIBLE FOR ANY INDIRECT, SPECIAL, CONSEQUENTIAL OR PUNITIVE DAMAGES.
4. **Assumption of Risk.** You acknowledge and agree that any use of the product for any purpose other than the specified use(s) stated in the product instructions is at Your own risk.
5. **Governing Law.** This Warranty gives You specific legal rights, and You also may have other rights which vary from state to state. This Warranty is governed by the laws of the State of Michigan, without regard to rules pertaining to conflicts of law. The state courts located in Oakland County, Michigan shall have exclusive jurisdiction for any disputes relating to this Warranty.

Rev 9/2014



Installation Instructions

PART NUMBERS: 36548, 90243, 06946

Applications:

Years	Make	Models
2006-Current*	Dodge	Charger
2005-Current*	Chrysler	300
2008-Current*	Dodge	Challenger**
2005-2008	Dodge	Magnum

**DOES NOT FIT CHALLENGERS WITH QUAD EXHAUST TIPS

*Visit our website for the most up to date information regarding application years and trim levels.

Installation Time:

30 MIN. (Exhaust that separates at rear of vehicle)

50 MIN. (Welded exhaust assy. And exhaust tips riveted to the fascia, the fascia will need to be removed)

The time listed above is the average time for professional installers. If you do not feel comfortable performing this installation on your own or are in need of assistance, please contact a professional installer.



Representative Vehicle Photo

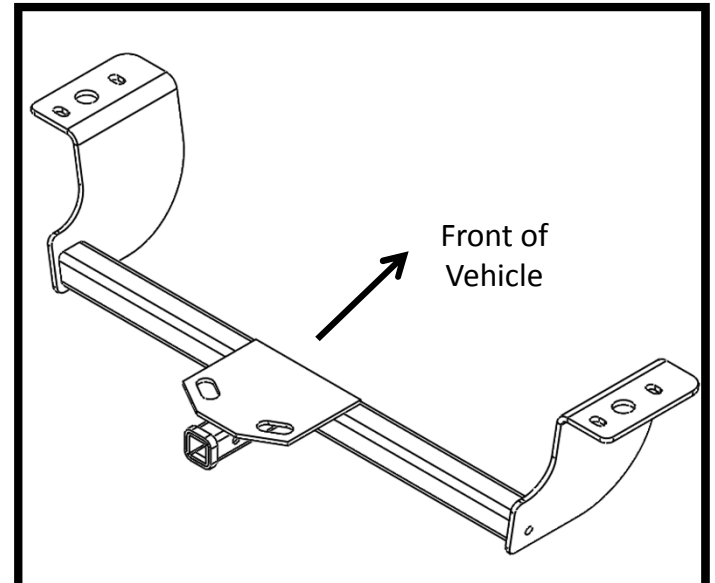
Equipment Required:

Safety Glasses	Ratchet	8mm 13 mm 15mm 18 mm 3 / 4 " Sockets	Torque Wrench	Socket Extension
Universal Joint Socket	Flat Head Screw Driver	Plastic Trim Tools		

Scan for step by step PHOTO installation instruction or visit <http://www.cequentgroup.com/qr-product.aspx>

DO NOT EXCEED LOWER OF TOWING VEHICLE MANUFACTURER'S RATING OR:

Hitch Type	Max Gross Trailer Weight	Max Tongue Weight
Weight Carrying	3500 lb. (1587kg)	300lb. (136kg)
Weight Distributing	N/A	N/A









Hitch Illustration

Always wear SAFETY GLASSES when installing hitch

Installation Instructions

**PART NUMBERS: 36548, 90243, 06946,
36548 U-HAUL**

Fastener Kit: 36548F

①	Qty. (3)	Carriage bolt ½"-13 x 1.50 GR5	
②	Qty. (3)	Spacer 1" x 3"	
③	Qty. (3)	Hex nut ½"	
④	Qty. (4)	Conical Tooth Washer ½"	
⑤	Qty. (1)	Bolt M12 CL10.9	
⑥	Qty. (3)	Fish wire ½-13	



Scan for step by step PHOTO installation instruction or visit <http://www.cequentgroup.com/qr-product.aspx>

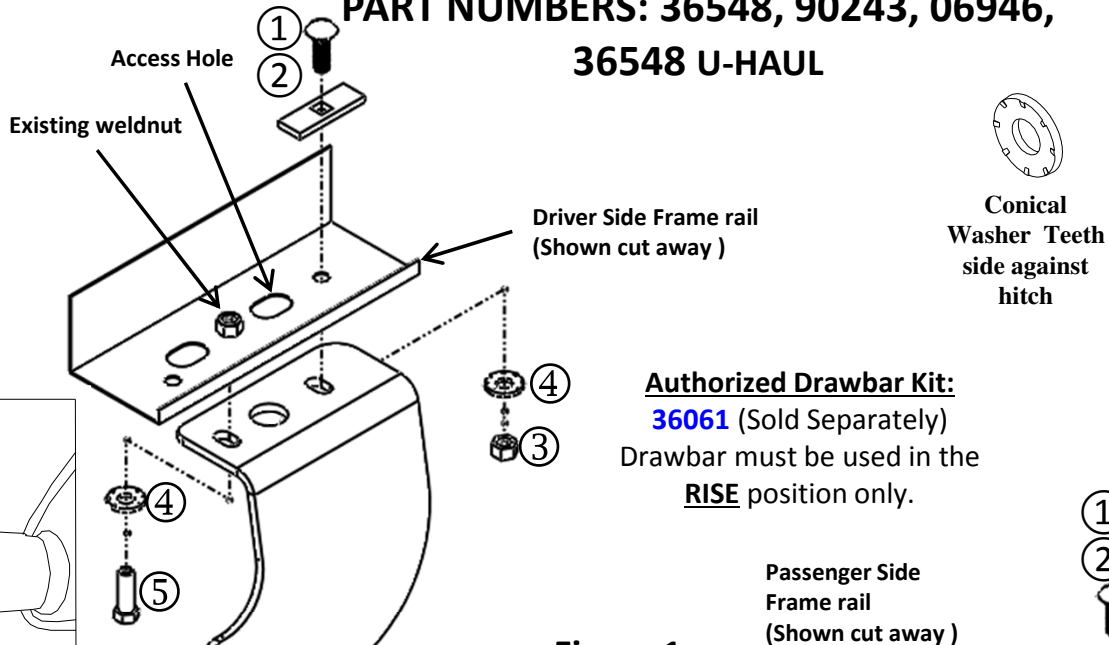


Figure 1

Authorized Drawbar Kit: 36061 (Sold Separately)
Drawbar must be used in the **RISE** position only.

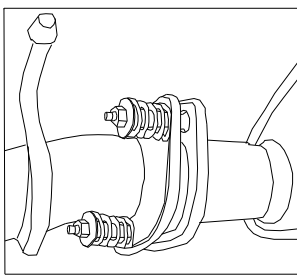


Figure 3.

2011 and newer V8 models - remove and save (2) assembly bolt and spring from the flange (nut and spring are attached).

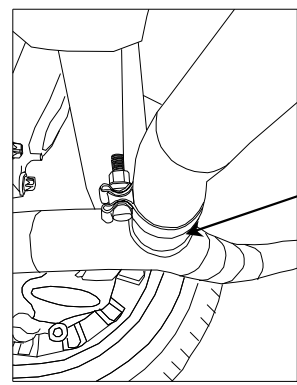


Figure 4.

2011 and newer V6 models remove and save band clamp, separate exhaust pipes and remove muffler.

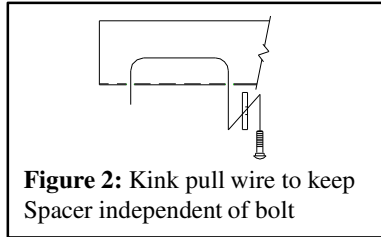
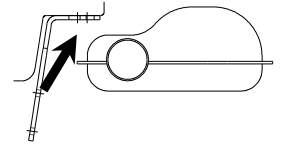


Figure 2: Kink pull wire to keep Spacer independent of bolt



Gently push muffer up and outward for clearance if needed.

Note: check hitch frequently, making sure all fasteners and ball are properly tightened. If hitch is removed, plug all holes in trunk pan or other body panels to prevent entry of water and exhaust fumes. A hitch or ball which has been damaged should be removed and replaced. Observe safety precautions when working beneath a vehicle and wear eye protection. Do not cut access or attachment holes with a torch.

This product complies with safety specifications and requirements for connecting devices and towing systems of the state of New York, V.E.S.C. Regulation V-5 and SAE J684.

All Pre-2011 installation:

1. Lower exhaust by removing (2 (13mm socket)) exhaust hanger/s per side (both sides on vehicles with dual exhaust). Spraying a lubricant or soapy water on the metal hanger rod and the rubber isolator helps removal.
2. Run the M12 bolt into the existing weldnut to clean dirt or debris from weldnut:
3. Fishwire ½" carriage bolts and spacers through the access holes on driver and passenger side frame rails, pull hardware through existing holes. (2) on passenger side and (1) on driver side.
4. Raise hitch into position by sliding the hitch over the mufflers and loosely install M12 bolt and conical tooth washer (teeth side against hitch) as shown into existing weldnut.
5. Install the ½" conical tooth washer (teeth side against hitch) and ½" nuts.
6. **Torque all ½" fasteners to 75ftlb. (102N*M) and the M12 bolt to 68ftlb (92N*M).**



Proper torque is needed to keep the hitch secure to the vehicle when towing!

7. Re-install exhaust hangers.

2011 and newer installation. Vehicle will need to be raised a minimum of 20" (bottom of fascia to ground) for installation.

VEHICLES WITH WELDED EXHAUST, FASCIA REMOVAL - Remove the plastic expansion fasteners holding wheel well liner to fascia (each side). Pull back wheel well liner to access the hidden screw (10mm socket) holding the upper portion of the fascia to the quarter panel (each side). Remove the remaining screws and plastic expansion fasteners from along the bottom of the fascia including the 10mm nuts holding the underbody panel to the trunk pan. Gently remove the fascia and unplug wiring. Set bumper fascia aside.

1. On Chrysler 300/300C Remove plastic appearance panels which cover trunk pan. Return appearance panels and fasteners to vehicle owner
2. Lower exhaust by removing (2 (13mm socket)) exhaust hangers per side. This will allow access to frame rail by pushing the muffler up and outward for clearance. The removal of the rubber isolator/s, from hanger/s off exhaust pipe/s forward of the trunk pan, will allow additional clearance. Spraying a lubricant or soapy water on the metal hanger/s rod and the rubber isolator helps removal.
3. Remove the (1) muffler from the vehicle.

On V8 models - remove and save (2) assembly bolt and spring from the flange (nut and spring are attached). Carefully remove muffler from driver's side. See figure 3

On V6 models - remove and save band clamp, separate exhaust pipes and remove muffler. Band clamp located just before "Y" connection on exhaust. Carefully remove muffler from driver's side. See figure 4

4. Run the M12 bolt into the existing weldnut to clean dirt or debris from weldnut:
5. Fishwire ½" carriage bolts and spacers through the access holes on driver and passenger side frame rails, pull hardware through existing holes. (2) on passenger side and (1) on driver side.
6. Raise passenger side bracket into place over the passenger muffler. Support the passenger side bracket while loosely installing the M12 bolt & conical tooth washer (teeth side against hitch) through the bracket and into the frame rail on the driver's side to hold hitch in place. Then gently pushing the passenger muffler up and outward for clearance, Install the ½" conical tooth washer (teeth side against hitch) and ½" nuts.
7. **Torque all ½" fasteners to 75ftlb. (102N*M) and the M12 bolt to 68ftlb (92N*M).**



Proper torque is needed to keep the hitch secure to the vehicle when towing!

8. Re-install exhaust hangers.
9. Re-install wiring and bumper fascia.

Note: check hitch frequently, making sure all fasteners and ball are properly tightened. If hitch is removed, plug all holes in trunk pan or other body panels to prevent entry of water and exhaust fumes. A hitch or ball which has been damaged should be removed and replaced. Observe safety precautions when working beneath a vehicle and wear eye protection. Do not cut access or attachment holes with a torch.

This product complies with safety specifications and requirements for connecting devices and towing systems of the state of New York, V.E.S.C. Regulation V-5 and SAE J684.

Remove the plastic expansion fasteners holding wheel well liner to fascia (each side).



Pull back wheel well liner to access the hidden screw (10mm socket) holding the upper portion of the fascia to the quarter panel (each side).



Remove the remaining screws and plastic expansion fasteners from along the bottom of the fascia including the 10mm nuts holding the underbody panel to the trunk pan.



Gently remove the fascia and unplug wiring. Set bumper fascia aside.



1. On Chrysler 300/300C Remove plastic appearance panels which cover trunk pan. Return appearance panels and fasteners to vehicle owner



2. Lower exhaust by removing (2 (13mm socket)) exhaust hangers per side. This will allow access to frame rail by pushing the muffler up and outward for clearance. The removal of the rubber isolator/s, from hanger/s off exhaust pipe/s forward of the trunk pan, will allow additional clearance. Spraying a lubricant or soapy water on the metal hanger/s rod and the rubber isolator helps removal.



3. Remove the (1) muffler from the vehicle.

On V8 models - remove and save (2) assembly bolt and spring from the flange (nut and spring are attached). Carefully remove muffler from driver's side. See figure 3

On V6 models - remove and save band clamp, separate exhaust pipes and remove muffler. Band clamp located just before "Y" connection on exhaust. Carefully remove muffler from driver's side. See figure 4



4. Run the M12 bolt into the existing weldnut to clean dirt or debris from weldnut:



5. Fishwire ½" carriage bolts and spacers through the access holes on driver and passenger side frame rails, pull hardware through existing holes. (2) on passenger side and (1) on driver side.

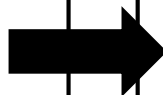


6. Raise passenger side bracket into place over the passenger muffler. Support the passenger side bracket while loosely installing the M12 bolt & conical tooth washer (teeth side against hitch) through the bracket and into the frame rail on the driver's side to hold hitch in place. Then gently pushing the passenger muffler up and outward for clearance, install the ½" conical tooth washer (teeth side against hitch) and ½" nuts.



7. Torque all ½" fasteners to 75ftlb. (102N*M) and the M12 bolt to 68ftlb (92N*M).

⚠ Proper torque is needed to keep the hitch secure to the vehicle when towing.



8. Re-install exhaust hangers.





! WARNING

Pour prévenir les blessures SÉVÈRES, FATALES ou les DOMMAGES

MATÉRIELS :

- **TOUJOURS lire, assimiler et observer les avertissements et les instructions relatives à l'attelage AVANT d'installer celui-ci. Conserver la documentation pour référence ultérieure.**
- **NE PAS découper, percer, souder ni modifier cet attelage-récepteur.**
- **S'ASSURER régulièrement que toute la visserie est correctement serrée et que l'attelage est monté sur le véhicule en toute sécurité.**
- **TOUJOURS lire, assimiler et observer tous les avertissements et toutes les instructions relatives au véhicule et aux autres accessoires utilisés avec l'attelage AVANT l'utilisation.**
- **PLACER les plus lourdes charges à l'avant de la remorque.**
- **NE PAS excéder les spécifications de charge du fabricant du véhicule, ni la moins élevée des valeurs suivantes :**

Type d'attelage	Poids brut max. de la remorque	Poids max. au timon
Sans répartition de charge	3500lb. (1587kg)	300lb. (136kg)
Répartition de charge	N/A	N/A

- **TOUJOURS porter la ceinture de sécurité.**
- **RALENTIR lors du remorquage, ne JAMAIS dépasser la limite de vitesse signalée.**
- **En cas de BALANCEMENT EXCESSIF, retirer le pied de la pédale d'accélérateur et maintenir le volant aussi stable que possible. NE PAS appliquer les freins NI accélérer.**

GARANTIE À VIE LIMITÉE

1. **Garantie à vie limitée (« Garantie »).** Cequent Performance Products, Inc. (« Nous », « Notre ») garantit à l'acheteur initial seulement (« Vous », « Votre ») que le produit sera exempt de vices de matières et de fabrication, exception faite de l'usure normale. Cette garantie n'est valide que si : (a) les produits Nous sont retournés pour inspection et mise à l'essai; (b) Notre inspection révèle, à Notre satisfaction, que toute non conformité présumée est de nature matérielle et n'a pas été causée par une mauvaise utilisation, la négligence, l'usure, une installation, entreposage ou réparation incorrects, une modification ou un accident; (c) les produits ont été installés, entretenus et utilisés conformément à Nos instructions. **LA GARANTIE SE SUBSTITUE À TOUTE AUTRE GARANTIE, EXPRESSE OU IMPLICITE (AUTRE QUE LA GARANTIE DE TITRE OFFERTE PAR LE CODE COMMERCIAL UNIFORME AU MICHIGAN), Y COMPRIS, MAIS SANS S'Y LIMITER, TOUTES LES GARANTIES RELATIVES À LA QUALITÉ MARCHANDE OU L'ADÉQUATION À UN USAGE PARTICULIER, CELLES-CI ÉTANT EXPRESSÉMENT REJETÉES.**
2. **Obligations de l'acheteur.** Pour effectuer une réclamation, communiquez avec Nous à notre adresse principale du 47912 Halyard Drive, Suite 100, Plymouth, MI 48170, 1-800-632-3290; n'oubliez pas d'identifier le produit d'après le numéro de modèle et de suivre les directives qui vous seront fournies. Tout produit retourné qui est remplacé par Nous devient notre propriété. Vous serez tenu d'assumer les frais d'expédition de retour. Veuillez conserver votre reçu d'achat afin que nous puissions en vérifier la date et confirmer que Vous êtes l'acheteur initial. Le produit et le reçu d'achat doivent Nous être fournis afin que nous puissions traiter Votre réclamation.
3. **Recours exclusifs.** Le remplacement du produit est Votre seul recours en vertu de cette Garantie. Nous ne sommes pas responsables des frais de service ou de main-d'oeuvre encourus pour le retrait ou la réinstallation d'un produit. **SOUS AUCUNE CIRCONSTANCE NOUS NE SERONS TENUS RESPONSABLES DES DOMMAGES INDIRECTS, PARTICULIERS, CONSÉCUTIFS OU PUNITIFS.**
4. **Acceptation des risques.** Vous reconnaissez et acceptez que toute utilisation du produit à des fins autres que celle(s) stipulée(s) dans les instructions relatives au produit est faite à vos propres risques.
5. **Loi applicable.** Cette Garantie Vous confère des droits légaux spécifiques, et il se peut que Vous possédiez d'autres droits qui peuvent varier d'une province à l'autre. Cette Garantie est régie par les lois de l'État du Michigan, abstraction faite des règles relatives aux conflits de lois. Les cours de l'État situées dans le comté d'Oakland, Michigan, constituent les autorités judiciaires exclusives relativement à tout litige relevant de cette Garantie.

Rev 9/2014



Instructions d'installation

NUMÉROS DE PIÈCES : 36548, 90243, 06946

Applications :

Années	Marque	Modèles
2006-Current*	Dodge	Charger
2005-Current*	Chrysler	300
2008-Current*	Dodge	Challenger**
2005-2008	Dodge	Magnum

**NE CONVIENT PAS CHALLENGERS AVEC TIPS QUAD

ECHAPPEMENT

*Visitez notre site Web pour obtenir les renseignements les plus récents sur les années d'application et les niveaux de garniture.

Temps nécessaire à l'installation :

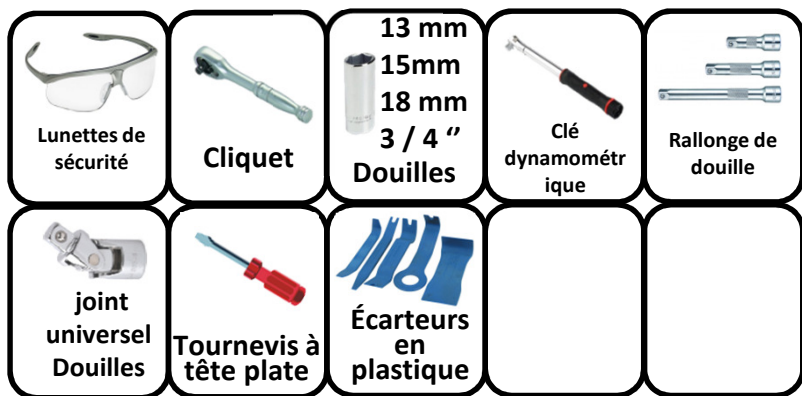
30 MIN (Échappement qui se divise à l'arrière du véhicule)

50 MIN. (L'assemblage de l'échappement est soudé et les extrémités de l'échappement sont rivetés sur le carénage; le carénage doit être enlevé.)

Le temps indiqué ci-dessus représente une durée moyenne pour des installateurs professionnels. Si vous ne vous sentez pas à l'aise pour réaliser cette installation par vous-même ou si vous avez besoin d'aide, veuillez contacter un installateur professionnel.



Photo représentative d'un véhicule



NE PAS DÉPASSER LA VALEUR NOMINALE INFÉRIEURE DE REMORQUAGE ÉTABLIE PAR LE FABRICANT OU :

Type d'attelage	Poids brut max. de la remorque	Poids max. de la flèche
Poids de transport	3500lb. (1587kg)	300lb. (136kg)
Distribution du poids	N/A	N/A

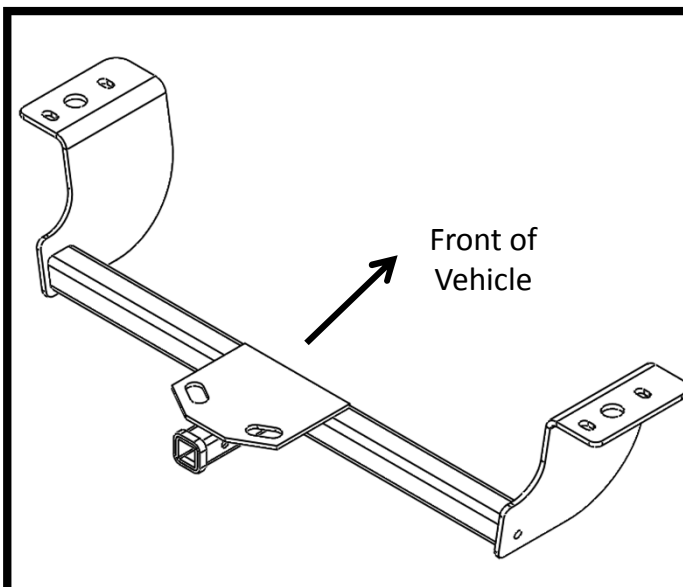


Illustration de l'attelage

⚠ Toujours porter des LUNETTES DE PROTECTION lors de l'installation de l'attelage.

Instructions d'installation

NUMÉROS DE PIÈCE : 36548, 90243, 06946

Visserie: 36548F



Numériser pour des INSTRUCTIONS avec PHOTOS ou visiter <http://www.cequentgroup.com/qr-product.aspx>

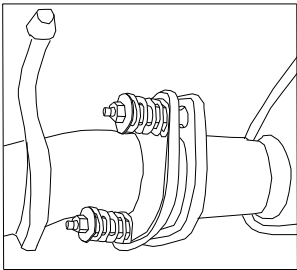


Figure 3.
Modèles V8 2011 et plus récents : Enlever et conserver les deux (2) ensembles boulon-ressort des brides (l'écrou et le ressort sont attachés).

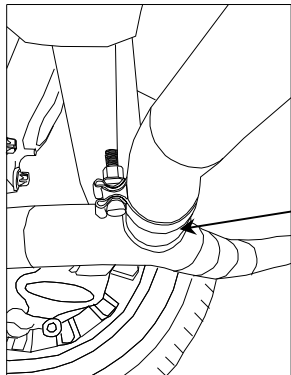
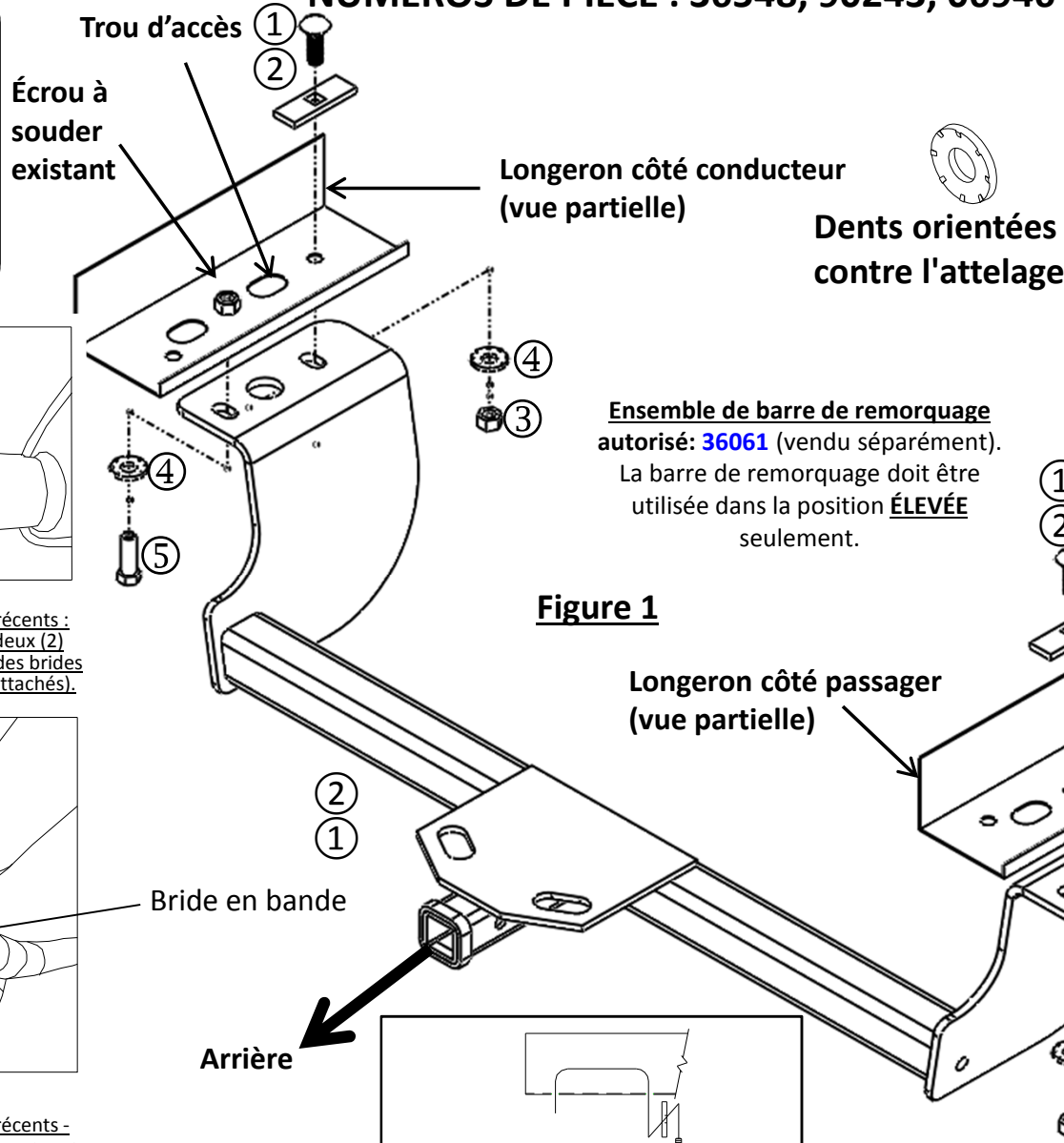
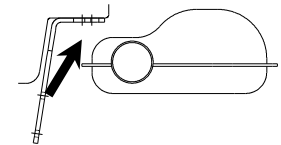


Figure 4.
Modèles V6 2011 et plus récents - Enlever et conserver la bride en bande, séparer les tuyaux d'échappement et enlever le silencieux.



Ensemble de barre de remorquage autorisé: 36061 (vendu séparément). La barre de remorquage doit être utilisée dans la position **ÉLEVÉE** seulement.

Figure 1



Au besoin, pousser avec précaution le silencieux vers le haut et l'extérieur pour le dégagement.

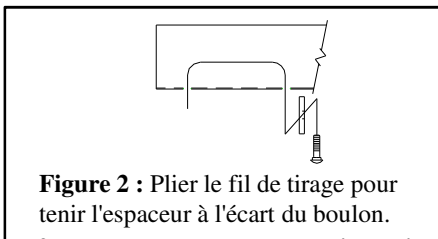


Figure 2 : Plier le fil de tirage pour tenir l'espaceur à l'écart du boulon.

①	Qté (3)	Boulon de carrosserie ½"-13 x 1,50 GR5	
②	Qté (3)	Espaceur ¼" X 1" x 3"	
③	Qté (3)	Écrou hexagonal ½"	
④	Qté (4)	Rondelle conique dentée 1/2"	
⑤	Qté (1)	Boulon M12 x 1.75 x 40mm c10.9	
⑥	Qté (3)	Fil de tirage ½-13	

Installation de tous les modèles antérieurs à 2011

1. Abaisser l'échappement en enlevant deux (2) supports d'échappement (douille 13 mm) par côté (des deux côtés pour les modèles équipés d'échappement double). La vaporisation d'un lubrifiant ou d'eau savonneuse sur la tige du support métallique et l'isolateur en caoutchouc facilite l'enlèvement.
2. Insérer le boulon M12 dans l'écrou soudé existant pour nettoyer la saleté ou les débris qui pourraient s'y trouver.
3. À l'aide d'un fil de tirage, acheminer les boulons de carrosserie ½ po et les espaceurs à travers les trous d'accès des longerons côtés conducteur et passager, tirer la visserie à travers les trous existants. Deux (2) du côté conducteur et un (1) côté passager.
4. Soulever l'attelage en position en le glissant au-dessus des silencieux et poser lâchement le boulon M12 et la rondelle conique dentée (dents contre l'attelage) dans l'écrou soudé existant, comme illustré.
5. Poser la rondelle conique dentée 1/2 po (dents contre l'attelage) et les écrous 1/2 po.
6. **Serrer toute la visserie 1/2 po au couple de 75 lb-pi (102 N.m) et le boulon M12 au couple de 68 lb-pi. (92 N.m).**



Un couple de serrage adéquat est essentiel pour bien fixer l'attelage au véhicule lors du remorquage!

7. Reposer les supports d'échappement.

Modèles 2011 et plus récents : Pour l'installation, le véhicule devra être soulevé d'un minimum de 20 po (bas du carénage au sol).

VÉHICULES AVEC ÉCHAPPEMENT SOUDÉ, ENLÈVEMENT DU CARÉNAGE - Retirer les fixations expansibles en plastique qui fixent la doublure de passage de roue au carénage (chaque côté). Tirer la doublure du passage de roue pour accéder à la vis cachée (douille 10 mm) qui fixe la partie supérieure du carénage sur le panneau latéral (chaque côté). Retirer les vis et les fixations expansibles restantes le long du bas du carénage, y compris les écrous 10 mm qui fixent le panneau de soubassement à la tôle du coffre. Retirer le carénage avec précaution et débrancher le câblage. Mettre le carénage de pare-chocs de côté.

1. Pour les modèles Chrysler 300/300C, enlever les panneaux décoratifs en plastique qui recouvrent la tôle du coffre. Remettre les panneaux décoratifs et les attaches au propriétaire du véhicule.
2. Abaisser l'échappement en enlevant (douille 13 mm) deux (2) supports d'échappement de chaque côté. On pourra ainsi accéder au longeron en poussant le silencieux vers le haut et l'extérieur pour dégager. L'enlèvement des isolateurs en caoutchouc sur les supports d'échappement à l'avant de la tôle du coffre procurera un dégagement supplémentaire. La vaporisation de lubrifiant ou d'eau savonneuse sur la tige du support métallique et l'isolateur en caoutchouc facilite l'enlèvement.
3. Enlever le silencieux (1) du véhicule.
Modèles V8 - Enlever et conserver les deux (2) ensembles boulon-ressort du rebord (l'écrou et le ressort sont attachés). Enlever le silencieux côté conducteur avec précaution. Voir la figure 3.
Modèles V6 - Enlever la bride en bande, séparer les tuyaux d'échappement et enlever le silencieux. Bride en bande située juste avant le branchement en « Y » de l'échappement. Enlever le silencieux côté conducteur avec précaution. Voir la figure 4.
4. Insérer le boulon M12 dans l'écrou soudé existant pour nettoyer la saleté ou les débris qui pourraient s'y trouver.
5. À l'aide d'un fil de tirage, acheminer les boulons de carrosserie ½ po et les espaceurs à travers les trous d'accès des longerons côtés conducteur et passager, tirer la visserie à travers les trous existants. Deux (2) du côté conducteur et un (1) côté passager.
6. Soulever le support côté passager pour le mettre en place au-dessus du silencieux côté passager. Soutenir le support côté passager en posant lâchement le boulon M12 et la rondelle conique dentée (dents contre l'attelage) dans le support et le longeron du côté conducteur pour maintenir l'attelage en place. Pousser avec précaution le silencieux côté passager vers le haut et l'extérieur pour le dégagement, puis poser la rondelle conique dentée ½ po (dents contre l'attelage) et les écrous ½ po.
7. **Serrer toute la visserie 1/2 po au couple de 75 lb-pi (102 N.m) et le boulon M12 au couple de 68 lb-pi. (92 N.m).**



Un couple de serrage adéquat est essentiel pour bien fixer l'attelage au véhicule lors du remorquage!

8. Reposer les supports d'échappement.
9. Réinstaller le câblage et le carénage de pare-chocs.

Nota : Vérifier l'attelage fréquemment, en s'assurant que toutes les fixations et la boule sont serrées adéquatement. Si l'attelage est enlevé, boucher tous les trous percés dans le coffre ou la carrosserie afin de prévenir l'infiltration d'eau ou de gaz d'échappement. Un attelage ou une boule endommagés doivent être enlevés et remplacés. Observer les mesures de sécurité appropriées en travaillant sous le véhicule et porter des lunettes de protection. Ne jamais utiliser une torche pour découper un accès ou un trou de fixation. Ce produit est conforme aux normes V-5 et SAE J684 de la V.E.S.C. (État de New York) concernant les spécifications en matière de sécurité des systèmes d'attelage.

Retirer les fixations expansibles en plastique qui fixent la doublure de passage de roue au carénage (chaque côté).



Tirer la doublure du passage de roue pour accéder à la vis cachée (douille 10 mm) qui fixe la partie supérieure du carénage sur le panneau latéral (chaque côté).



Retirer les vis et les fixations expansibles restantes le long du bas du carénage, y compris les écrous 10 mm qui fixent le panneau de soubassement à la tôle du coffre.



Retirer le carénage avec précaution et débrancher le câblage. Mettre le carénage de pare-chocs de côté.



1. Pour les modèles Chrysler 300/300C, enlever les panneaux décoratifs en plastique qui recouvrent la tôle du coffre. Remettre les panneaux décoratifs et les attaches au propriétaire du véhicule.



2. Abaisser l'échappement en enlevant (douille 13 mm) deux (2) supports d'échappement de chaque côté. On pourra ainsi accéder au longeron en poussant le silencieux vers le haut et l'extérieur pour dégager. L'enlèvement des isolateurs en caoutchouc sur les supports d'échappement à l'avant de la tôle du coffre procurera un dégagement supplémentaire. La vaporisation de lubrifiant ou d'eau savonneuse sur la tige du support métallique et l'isolateur en caoutchouc facilite l'enlèvement.



3. Enlever le silencieux (1) du véhicule.

Modèles V8 - Enlever et conserver les deux (2) ensembles boulon-ressort du rebord (l'écrou et le ressort sont attachés). Enlever le silencieux côté conducteur avec précaution. Voir la figure 3.

Modèles V6 - Enlever la bride en bande, séparer les tuyaux d'échappement et enlever le silencieux. Bride en bande située juste avant le branchement en « Y » de l'échappement. Enlever le silencieux côté conducteur avec précaution. Voir la figure 4.



4. Insérer le boulon M12 dans l'écrou soudé existant pour nettoyer la saleté ou les débris qui pourraient s'y trouver.



5. À l'aide d'un fil de tirage, acheminer les boulons de carrosserie ½ po et les espaceurs à travers les trous d'accès des longerons côtés conducteur et passager, tirer la visserie à travers les trous existants. Deux (2) du côté conducteur et un (1) côté passager.



6. Soulever le support côté passager pour le mettre en place au-dessus du silencieux côté passager. Soutenir le support côté passager en posant lâchement le boulon M12 et la rondelle conique dentée (dents contre l'attelage) dans le support et le longeron du côté conducteur pour maintenir l'attelage en place. Pousser avec précaution le silencieux côté passager vers le haut et l'extérieur pour le dégagement, puis poser la rondelle conique dentée ½ po (dents contre l'attelage) et les écrous ½ po.



7. Serrer toute la visserie 1/2 po au couple de 75 lb-pi (102 N.m) et le boulon M12 au couple de 68 lb-pi. (92 N.m).

⚠ Un couple de serrage adéquat est essentiel pour bien fixer l'attelage au véhicule lors du remorquage!



8. Reposer les supports d'échappement.





! WARNING

Para evitar DAÑOS DE GRAVEDAD, A LA PROPIEDAD O LA MUERTE:

- **SIEMPRE** lea, entienda y siga las advertencias e instrucciones para su enganche **ANTES** de la instalación. Consérvelo para referencia futura.
 - **NO** corte, suelde ni modifique este receptor.
 - **VERIFIQUE** periódicamente que todos los fijadores estén apretados y que el enganche esté firmemente montado en su vehículo.
 - **SIEMPRE** lea, entienda y siga todas las advertencias e instrucciones para su vehículo y para otros accesorios que va a utilizar con el enganche **ANTES** de usar.
 - **CARGUE** el remolque más pesado por el frente.
 - **NO** supere el valor inferior entre la calificación del fabricante del vehículo de remolque, o:
- | Tipo de enganche | Peso bruto máximo del remolque | Peso máximo de la horquilla |
|----------------------|--------------------------------|-----------------------------|
| Carga de peso | 3500lb. (1587kg) | 300lb. (136kg) |
| Distribución de peso | N/A | N/A |
- **Use SIEMPRE** el cinturón de seguridad.
 - **REDUZCA LA VELOCIDAD** al remolcar, **NUNCA** exceda ningún límite de velocidad.
 - **Si se produce DEMASIADA OSCILACIÓN**, quite el pie del acelerador y sujete el volante lo más firme posible. **NO** aplique los frenos y **NO** aumente la velocidad.

GARANTÍA LIMITADA DE POR VIDA

1. **Garantía limitada de por vida ("Garantía")** Cequent Performance Products, Inc. ("nosotros", "nos" o "nuestro/a/s") garantiza al comprador original únicamente ("usted" o "su/s") que el producto estará libre de defectos significativos tanto en materiales como en mano de obra, con la excepción del desgaste normal. La garantía sólo es válida si (a) los productos se nos devuelven para inspección y pruebas; (b) Nuestra inspección revela a nuestra satisfacción que cualquier supuesta no conformidad es meritoria y no ha sido causada por el mal uso, negligencia, desgaste, instalación incorrecta, almacenamiento inadecuado, reparación inadecuada, alteración, o accidente; y (c) los productos fueron instalados, mantenidos y utilizados de acuerdo con nuestras instrucciones. **LA GARANTÍA REEMPLAZA CUALQUIER OTRA GARANTÍA, EXPRESA O IMPLÍCITA (EXCEPTO LA GARANTÍA DE TÍTULO SEGÚN LO ESTABLECE EL CODIGO COMERCIAL UNIFORME VIGENTE EN MICHIGAN), INCLUYENDO SIN LIMITACIÓN, LAS GARANTÍAS DE COMERCIALIZACIÓN O IDONEIDAD PARA UN PROPÓSITO PARTICULAR, TALES GARANTÍAS QUEDAN EXPRESAMENTE ANULADAS.**
2. **Obligaciones del comprador.** Para hacer una reclamación de garantía, contáctenos en nuestra dirección principal en 47912 Halyard Dr. Suite 100, Plymouth, MI 48170, 1-800-632-3290, identifique el producto por número de modelo y siga las instrucciones que se le darán para la reclamación. Cualquier producto devuelto que se reemplace o se reembolse se convierte en propiedad nuestra. Usted podría ser responsable por los costos de envío del producto. Conserve el recibo de compra para verificar la fecha de compra y que usted es el comprador original. Nos debe entregar el producto y el recibo de compra para procesar su reclamo de garantía.
3. **Recurso exclusivo.** El reemplazo del producto es su único y exclusivo recurso bajo esta Garantía. No seremos responsables por el servicio o cargos de mano de obra en los que se incurra al quitar o reemplazar un producto. **EN NINGÚN CASO SEREMOS RESPONSABLES DE LOS DAÑOS INDIRECTOS, ESPECIALES, CONSECUENCIALES O PUNITIVOS.**
4. **Riesgo asumido.** Usted reconoce y acepta que cualquier uso del producto para cualquier propósito diferente al uso(s) especificado(s) en las instrucciones del producto es a su propio riesgo.
5. **Ley gobernante.** Esta garantía le otorga derechos legales. Usted también podría tener otros derechos que varían de estado a estado. Esta garantía está regida por las leyes del estado de Michigan, sin importar las normas relativas a conflictos de ley. Las cortes estatales ubicadas en el condado de Oakland, Michigan tendrán la jurisdicción exclusiva para cualquier disputa que surja con respecto a esta garantía.

Rev 9/2014



Instrucciones de instalación

NÚMEROS DE PARTES: 36548, 90243, 06946

Aplicaciones:

Años	Marca	Modelos
2006-Current*	Dodge	Charger
2005-Current*	Chrysler	300
2008-Current*	Dodge	Challenger**
2005-2008	Dodge	Magnum

**no encaja CHALLENGER con cuatro puntas de tubo de escape

*Visite nuestro sitio web para la información más actualizada respecto a los años de aplicación y los niveles de recorte.

Temps nécessaire à l'installation :

30 MIN (Escape que se separa en la parte trasera del vehículo)

50 MIN. (Conjunto de escape soldado y puntas del escape con remache hacia la fascia. La fascia debe quitarse)

Le temps indiqué ci-dessus représente une durée moyenne pour des installateurs professionnels. Si vous ne vous sentez pas à l'aise pour réaliser cette installation par vous-même ou si vous avez besoin d'aide, veuillez contacter un installateur professionnel.



Foto que representa al vehículo

Equipment Required:

Gafas de seguridad	Trinquete	13 mm 15mm 18 mm 3 / 4 " Tubos	Llave de torsión	Extensión de tubo
las juntas universales Tubos	Destornillador cabeza plana	Herramientas plásticas para recorte		

Escanee para instrucciones de la instalación paso por paso con FOTO, o visite <http://www.cequentgroup.com/qr-product.aspx>

NO SUPERE LA CALIFICACIÓN INFERIOR DEL DEL FABRICANTE DEL VEHÍCULO DE REMOLQUE O:

Tipo de enganche	Peso bruto máximo del remolque	Peso máximo de la horquilla
Carga de peso	3500lb. (1587kg)	300lb. (136kg)
Distribución de peso	N/A	N/A

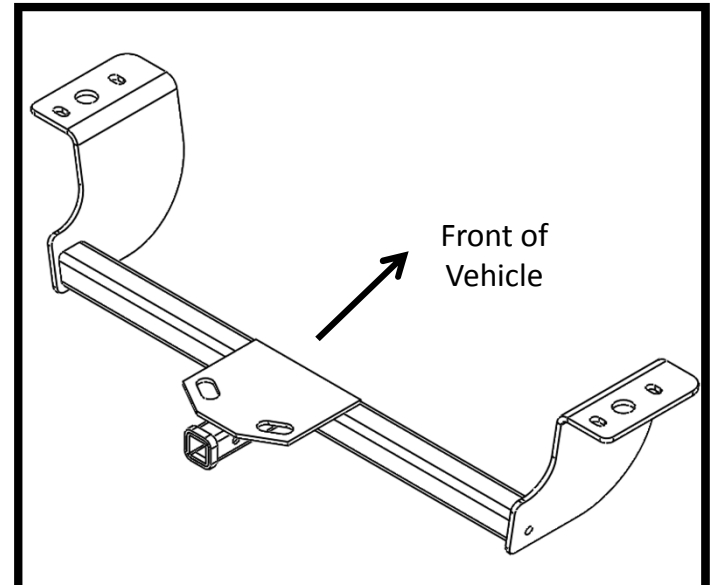


Ilustración del enganche

Siempre use GAFAS DE SEGURIDAD al instalar el enganche



Escanee para instrucciones de la instalación paso por paso con FOTO, o visite <http://www.cequentgroup.com/gr-product.aspx>

Instrucciones de instalación

NÚMEROS DE PARTE: 36548, 90243, 06946

Kit de fijadores: 36548F

①	Cant. (3)	Perno de carruaje ½"-13 x 1.50 GR5	
②	Cant. (3)	Espaciador, ¼" x 1" x 3"	
③	Cant. (3)	Tuerca hexagonal, ½"	
④	Cant. (4)	Arandela cónica dentada, ½"	
⑤	Cant. (1)	Perno M12 X 1.75 X 40 mm cI10.9	
⑥	Cant. (3)	Alambre de insertar ½-13	

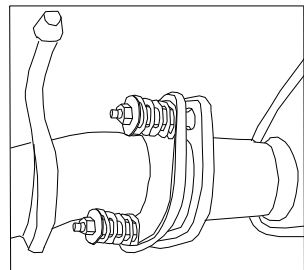


Figura 3.

Modelos 2011 y V8 más nuevos: quite y guarde (2) pernos de montaje y resorte de la brida (tuerca v resorte unidos).

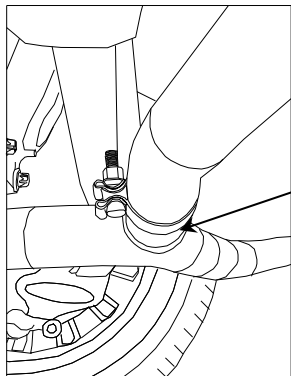
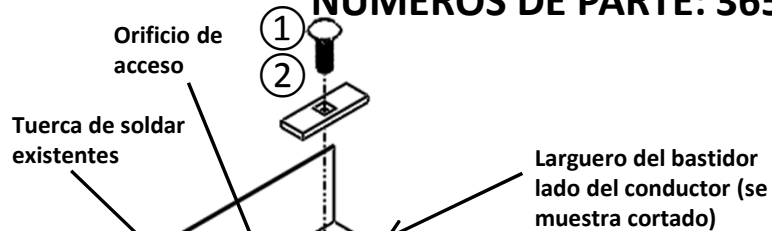


Figura 4.

Modelos 2011 y V6 más nuevos: quite y guarde la abrazadera de banda, separe los tubos de escape y quite el silenciador.

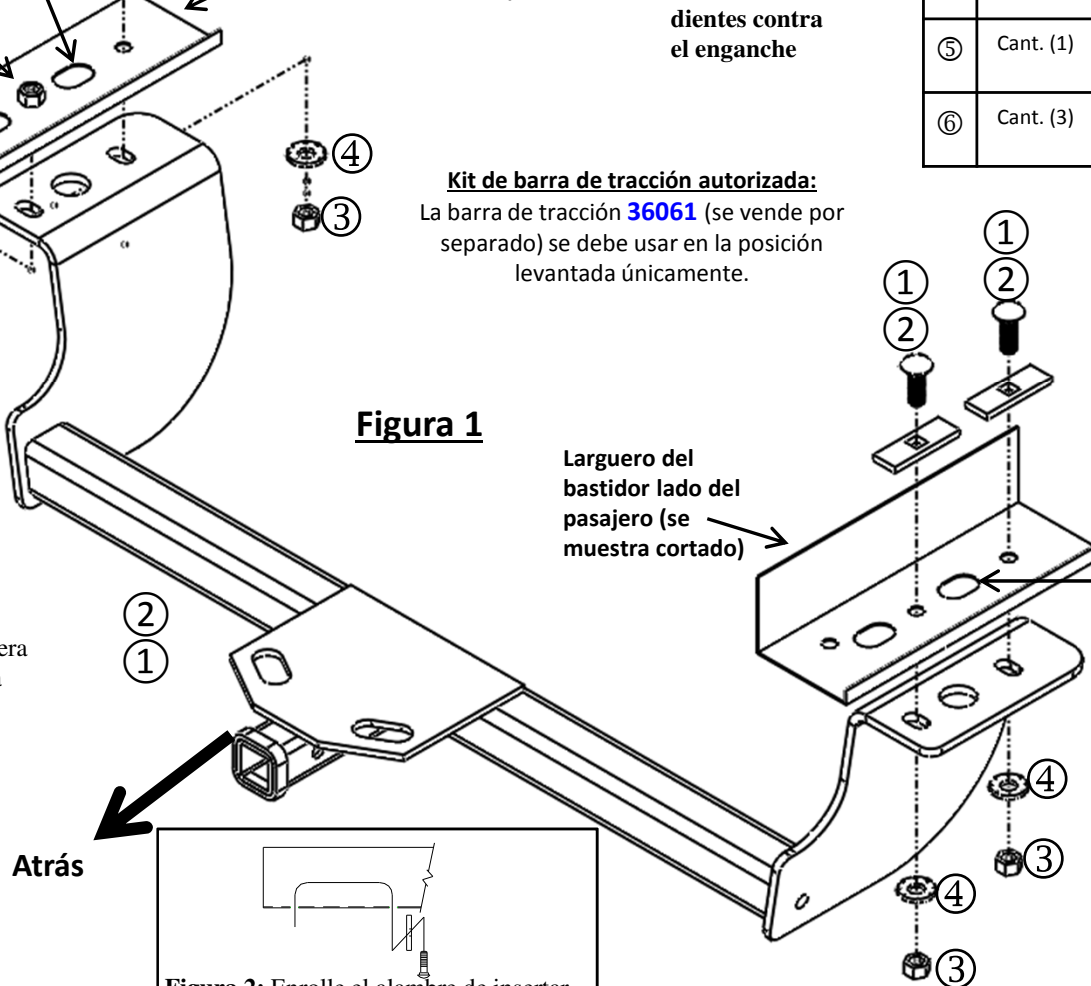
Nota: Revise el enganche con frecuencia, verificando que todos los tornillos y la esfera estén correctamente apretados. Si se quita el enganche tape todos los orificios en el colector del baúl u otros paneles de la carrocería para evitar la entrada del agua y los gases del escape. Se debe retirar y reemplazar un enganche o esfera que se hayan dañado. Observe las precauciones de seguridad al trabajar por debajo del vehículo y use protección visual. No corte los orificios de acceso o accesorios con soplete.

Este producto cumple con las especificaciones y requisitos de seguridad para conectar dispositivos y sistemas de remolque del estado de Nueva York, V.E.S.C. Regulación V-5 y SAE J684.



Costado con dientes contra el enganche

Kit de barra de tracción autorizada:
La barra de tracción **36061** (se vende por separado) se debe usar en la posición levantada únicamente.



Suavemente empuje el silenciador hacia arriba y hacia afuera para despejar, si fuera necesario.

Figura 2: Enrolle el alambre de insertar para mantener el espaciador independiente del perno

Instalación en todos los moelos previos al 2011:

1. Baje el escape al quitar (2 (cubo de 13 mm)) el/los colgantes del escape por lado (ambos lados en vehículos con escape doble). Rociar un lubricante o agua jabonosa en el vástago del colgante de metal y el aislante de goma ayuda para el desmonte.
2. Inserte el perno M12 dentro de la tuerca de soldar existente para limpiar la suciedad o los residuos de la tuerca de soldar:
3. Con el alambre de insertar, inserte los pernos de carruaje y espaciadores de ½" a través de los orificios de acceso en los largueros del bastidor del lado del conductor y del pasajero, pasar las piezas a través de los orificios existentes. (2) en el lado del pasajero y (1) en el lado del conductor.
4. Levante el enganche a su posición deslizando el enganche sobre los silenciadores y sin apretar instale un perno M12 y una arandela cónica dentada (el costado dentado contra el enganche) como se muestra dentro de la tuerca de soldar existente.
5. Instale la arandela cónica dentada de ½" (el costado dentado contra el enganche) y las tuercas de ½".
6. **Apriete a torsión todos los fijadores a 75 pies/lb. (102N*M) y el perno M12 a 68 pies/lb. (92N*M).**



¡Se necesita la torsión adecuada para mantener el enganche unido firmemente al vehículo durante el remolque!

7. Vuelva a instalar los colgantes del escape.

Para modelos 2011 y más nuevos. El vehículo deberá levantarse 20" como mínimo (parte inferior de la fascia hasta el piso) para la instalación.

VEHÍCULOS CON ESCAPE SOLDADO, EXTRACCIÓN DE LA FASCIA: Quitar los fijadores de expansión plásticos que sujetan el forro del receptáculo de la rueda a la fascia (en cada lado). Halar hacia atrás el forro del receptáculo de la rueda para acceder al tornillo oculto (cubo de 10mm) que sujeta la parte superior de la fascia al panel lateral (a cada lado). Retirar los tornillos restantes y fijadores de expansión plásticos a lo largo de la parte inferior de la fascia incluyendo las tuercas de 10 mm que sujetan el panel debajo de la carrocería al recolector del baúl. Retirar con cuidado la fascia y desconectar el cableado. Colocar la fascia del parachoques a un lado.

1. En el modelo Chrysler 300/300C, retire los paneles de apariencia de plásticos que cubren el recolector del baúl. Devuelva los paneles de apariencia y los tornillos al propietario del vehículo.
2. Baje el escape al retirar (2 (cubo de 13mm)) colgantes del escape por lado. Esto permitirá acceso al larguero del bastidor al empujar el silenciador hacia arriba y hacia fuera para despeje. La eliminación de los aisladores de goma, de los colgantes en los tubos de escape por delante del recolector del baúl, permite mayor despeje. Rociar un lubricante o agua jabonosa en el vástago del colgante(s) de metal y el aislante de goma ayuda para el desmonte.
3. Retire el (1) silenciador del vehículo.

En modelos V8: retire y guarde (2) pernos de montaje y resorte de la brida (tuerca y resorte unidos). Retire con cuidado el silenciador del lado del conductor. Ver Figura 3.

En modelos V6: quite y guarde la abrazadera de banda, separe los tubos de escape y quite el silenciador. La abrazadera de banda situada justo antes de la conexión en "Y" en el escape. Retire con cuidado el silenciador del lado del conductor. Ver Figura 4.

4. Inserte el pernos M12 dentro de la tuerca de soldar existente para limpiar la suciedad o los residuos de la tuerca de soldar:
5. Con el alambre de insertar, inserte los pernos de carruaje y espaciadores de ½" a través de los orificios de acceso en los largueros del bastidor del lado del conductor y del pasajero, pasar las piezas a través de los orificios existentes. (2) en el lado del pasajero y (1) en el lado del conductor.
6. Levante el soporte del lado del pasajero en su lugar sobre el silenciador del lado del pasajero. Apoye el soporte del lado del pasajero durante la instalación de un perno M12 y arandela cónica dentada (lado dentado contra el enganche) a través del soporte y dentro del larguero del bastidor en el lado del conductor para mantener el enganche en su lugar. Luego, empuje suavemente el silenciador del lado el pasajero hacia arriba y hacia afuera para despeje. Instale la arandela cónica dentada de ½" (lado dentado contra el enganche) y las tuercas de ½".
7. **Apriete a torsión todos los fijadores a 75 pies/lb. (102N*M) y el perno M12 a 68 pies/lb. (92N*M).**



¡Se necesita la torsión adecuada para mantener el enganche unido firmemente al vehículo durante el remolque!

8. Vuelva a instalar los colgantes del escape.
9. Volver a instalar el cableado y la fascia del parachoques.

Nota: Revise el enganche con frecuencia, verificando que todos los tornillos y la esfera estén correctamente apretados. Si se quita el enganche tape todos los orificios en el colector del baúl u otros paneles de la carrocería para evitar la entrada del agua y los gases del escape. Se debe retirar y reemplazar un enganche o esfera que se hayan dañado. Observe las precauciones de seguridad al trabajar por debajo del vehículo y use protección visual. No corte los orificios de acceso o accesorios con soplete.

Este producto cumple con las especificaciones y requisitos de seguridad para conectar dispositivos y sistemas de remolque del estado de Nueva York, V.E.S.C. Regulación V-5 y SAE J684.

Quitar los fijadores de expansión plásticos que sujetan el forro del receptáculo de la rueda a la fascia (en cada lado).



Halar hacia atrás el forro del receptáculo de la rueda para acceder al tornillo oculto (cubo de 10mm) que sujeta la parte superior de la fascia al panel lateral (a cada lado).



Retirar los tornillos restantes y fijadores de expansión plásticos a lo largo de la parte inferior de la fascia incluyendo las tuercas de 10 mm que sujetan el panel debajo de la carrocería al recolector del baúl.



Retirar con cuidado la fascia y desconectar el cableado. Colocar la fascia del parachoques a un lado.



1. En el modelo Chrysler 300/300C, retire los paneles de apariencia de plásticos que cubren el recolector del baúl. Devuelva los paneles de apariencia y los tornillos al propietario del vehículo.



2. Baje el escape al retirar (2 (cubo de 13mm)) colgantes del escape por lado. Esto permitirá acceso al larguero del bastidor al empujar el silenciador hacia arriba y hacia fuera para despeje. La eliminación de los aisladores de goma, de los colgantes en los tubos de escape por delante del recolector del baúl, permite mayor despeje. Rociar un lubricante o agua jabonosa en el vástago del colgante(s) de metal y el aislante de goma ayuda para el desmonte.



3. Retire el (1) silenciador del vehículo.

En modelos V8: retire y guarde (2) pernos de montaje y resorte de la brida (tuerca y resorte unidos). Retire con cuidado el silenciador del lado del conductor. Ver Figura 3.

En modelos V6: quite y guarde la abrazadera de banda, separe los tubos de escape y quite el silenciador. La abrazadera de banda situada justo antes de la conexión en "Y" en el escape. Retire con cuidado el silenciador del lado del conductor. Ver Figura 4.



4. Inserte el pernos M12 dentro de la tuerca de soldar existente para limpiar la suciedad o los residuos de la tuerca de soldar.



5. Con el alambre de insertar, inserte los pernos de carruaje y espaciadores de ½" a través de los orificios de acceso en los largueros del bastidor del lado del conductor y del pasajero, pasar las piezas a través de los orificios existentes. (2) en el lado del pasajero y (1) en el lado del conductor.

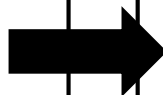


6. Levante el soporte del lado del pasajero en su lugar sobre el silenciador del lado del pasajero. Apoye el soporte del lado del pasajero durante la instalación de un perno M12 y arandela cónica dentada (lado dentado contra el enganche) a través del soporte y dentro del larguero del bastidor en el lado del conductor para mantener el enganche en su lugar. Luego, empuje suavemente el silenciador del lado el pasajero hacia arriba y hacia afuera para despeje. Instale la arandela cónica dentada de ½" (lado dentado contra el enganche) y las tuercas de ½".



7. Apriete a torsión todos los fijadores a 75 pies/lb. (102N*M) y el perno M12 a 68 pies/lb. (92N*M).

⚠ Se necesita la torsión adecuada para mantener el enganche unido firmemente al vehículo durante el remolque.



8. Vuelva a instalar los colgantes del escape.

