

INSTALLATION INSTRUCTIONS

UNIVERSAL PICK-UP

Product No.
37069
37133

SMALL PARTS
PACKAGE 37536

Cequent Products

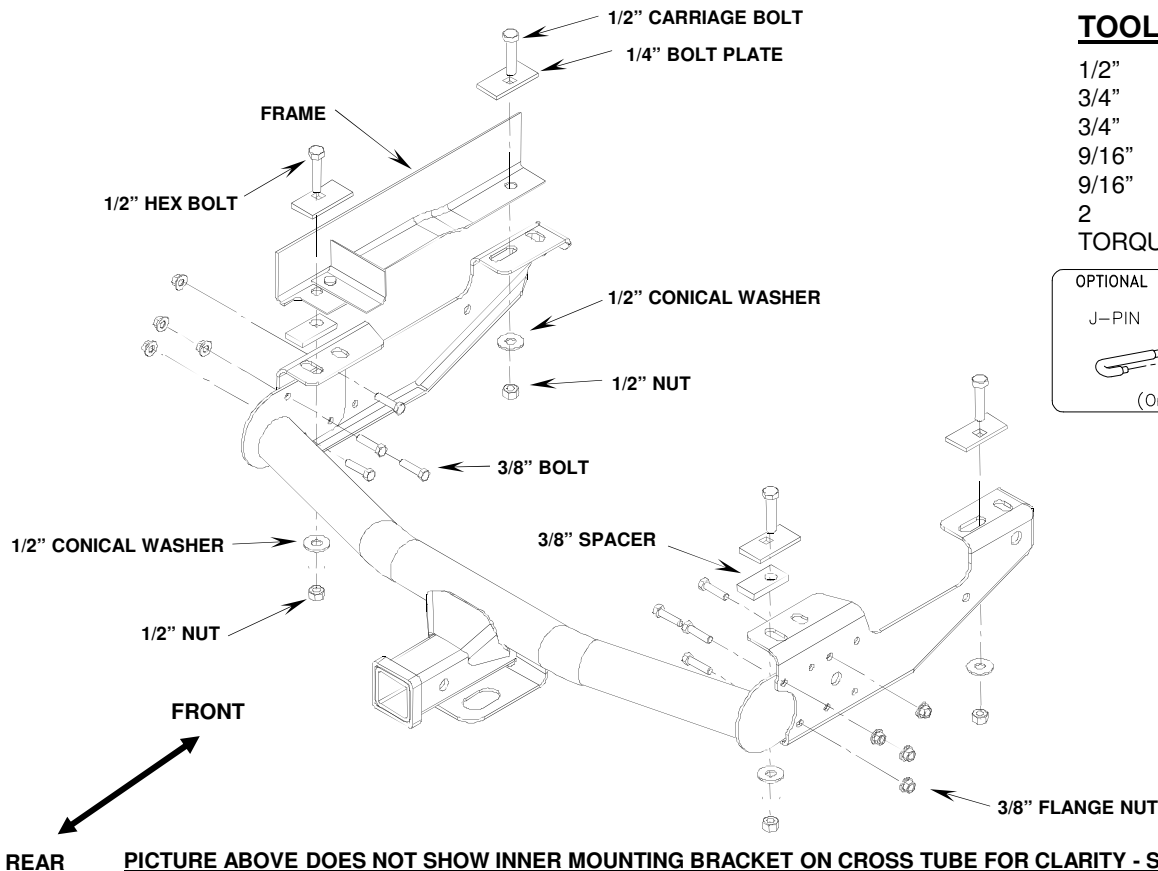
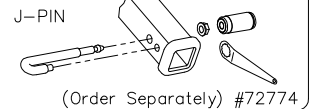
WARNING: DO NOT LUBRICATE THREADS, BOLT FAILURE MAY OCCUR DUE TO OVER TIGHTENING.
WARNING: DO NOT DRILL OR WELD TO THIS HITCH.

IMPORTANT NOTES
USE ONLY REESE SUPPLIED OR APPROVED BOLTS, LOCKNUTS, AND WASHERS TO INSTALL THIS HITCH

TOOLS REQUIRED

1/2"	DRILL BIT
3/4"	SOCKET
3/4"	WRENCH
9/16"	SOCKET
9/16"	WRENCH
2	CLAMPS
	TORQUE WRENCH

OPTIONAL LOCKING STABILIZING PIN



REAR **PICTURE ABOVE DOES NOT SHOW INNER MOUNTING BRACKET ON CROSS TUBE FOR CLARITY - SHOWN ON PAGE 9**

1973-1996 Ford Full Size Pickup & 1997 F-250 Heavy Duty / F-350 Heavy Duty:

1. Assemble the three pieces of the hitch together on the floor before attaching it to the truck. Using 3/8" bolts, and flange nuts, bolt the brackets to the center section as shown. Place the brackets on the outside of the center section. Bolt through the holes shown in the illustration. Leave the bolts loose enough to center brackets on truck frame. **NOTE:** Be sure to use four holes to bolt each bracket to the center section.
2. Clamp the hitch to the frame with a 3/8" thick spacer between the hitch and the frame at the rear. Align the ends of the brackets with the end of the frame as shown.
3. Using the holes in the bracket as a guide, drill 1/2" diameter holes into the frame at the locations shown.
4. Insert 1/2" bolts with bolt plates down through the frame and into the bracket. Place a 3/8" thick spacer between the frame and the bracket at each rear mounting hole. Install conical washers and nuts on the bolts.
5. Tighten the nuts in the following order. First torque the 3/8" nuts to 35 ft•lb.. Then torque the 1/2" nuts to 70 ft•lb..

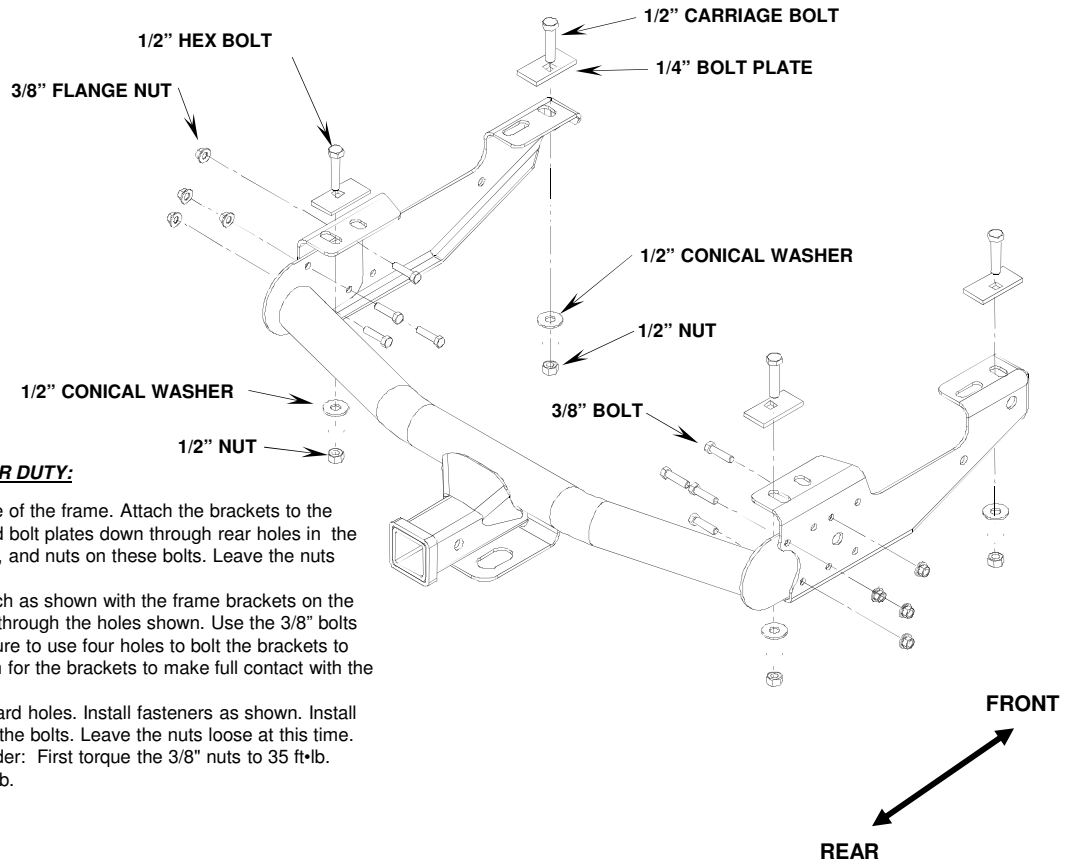
NOTE: SIDE BRACKETS WILL DEFLECT WHEN TIGHTENED

(OVER)

For Installation Assistance or Technical Help, See our Web Site at
www.cequentgroup.com or call 1-800-234-6992

TOOLS REQUIRED

3/4"	SOCKET
3/4"	WRENCH
9/16"	SOCKET
9/16"	WRENCH
1/2"	DRILL BIT
	TORQUE WRENCH



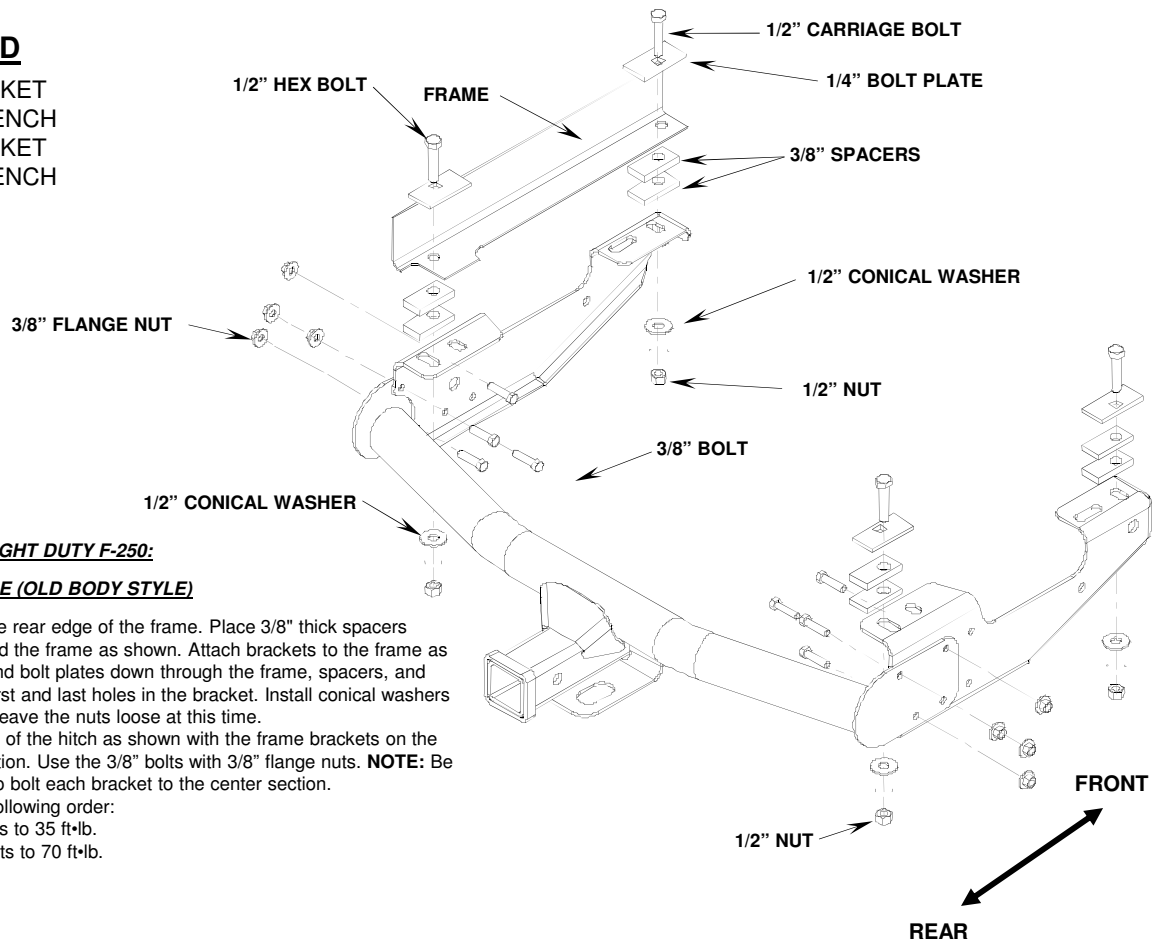
1998-2004 FORD F-250 & F-350 SUPER DUTY:

1. Align the bracket with the rear edge of the frame. Attach the brackets to the frame as shown with 1/2" bolts and bolt plates down through rear holes in the frame. Install 1/2" conical washers, and nuts on these bolts. Leave the nuts loose at this time.
2. Install the center section of the hitch as shown with the frame brackets on the outside of the center section. Bolt through the holes shown. Use the 3/8" bolts with 3/8" flange nuts. **NOTE:** Be sure to use four holes to bolt the brackets to the center section. Tighten enough for the brackets to make full contact with the center section.
3. With the 1/2" drill, drill the two forward holes. Install fasteners as shown. Install 1/2" conical washers, and nuts on the bolts. Leave the nuts loose at this time.
4. Tighten the nuts in the following order: First torque the 3/8" nuts to 35 ft•lb. Then torque the 1/2" nuts to 70 ft•lb.

PICTURE ABOVE DOES NOT SHOW INNER MOUNTING BRACKET ON CROSS TUBE FOR CLARITY - SHOWN ON PAGE 9

TOOLS REQUIRED

3/4"	SOCKET
3/4"	WRENCH
9/16"	SOCKET
9/16"	WRENCH
	TORQUE WRENCH



1997-2003 FORD F-150 & LIGHT DUTY F-250:

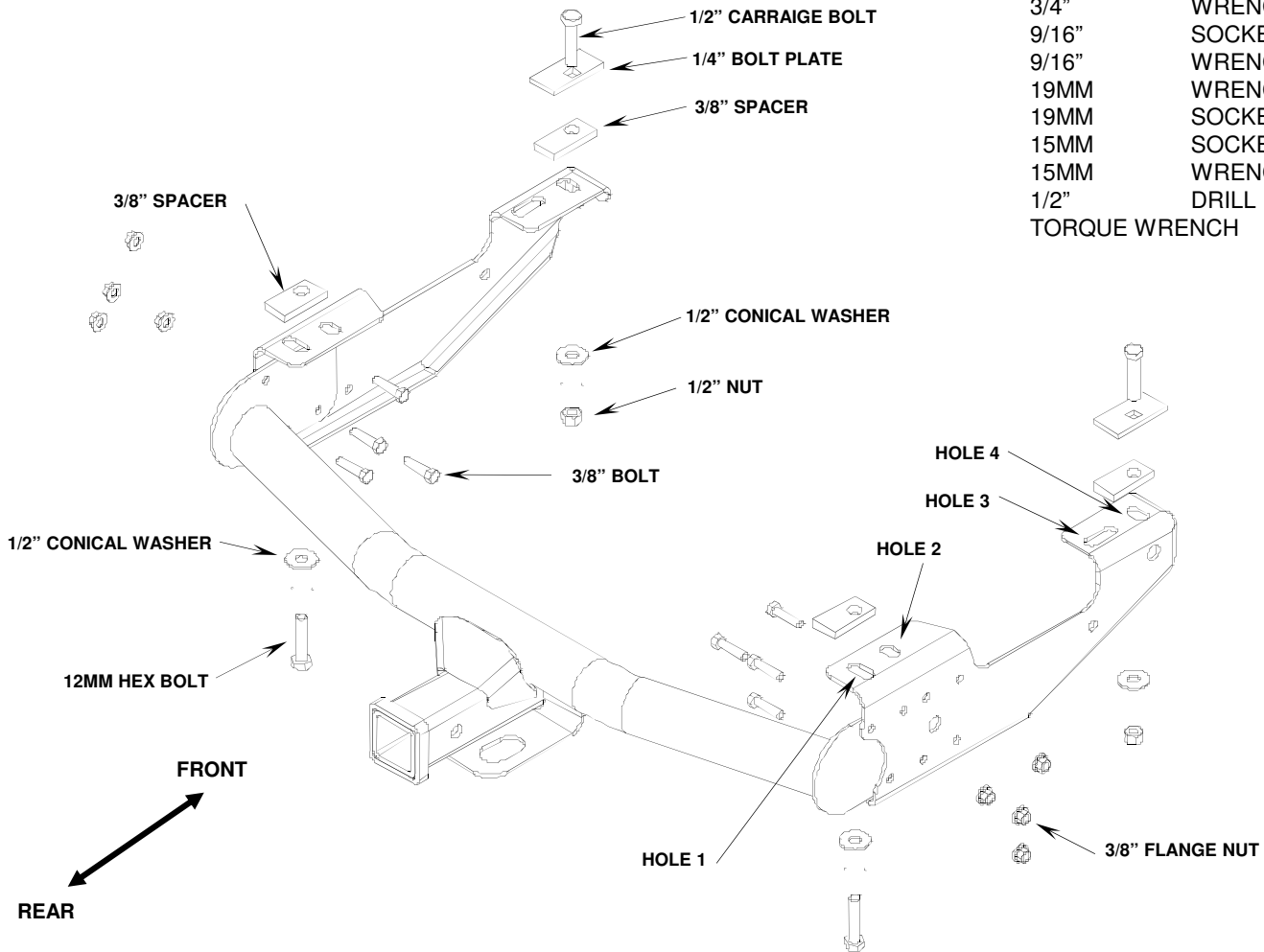
2004 FORD F-150 HERITAGE (OLD BODY STYLE)

1. Align the bracket with the rear edge of the frame. Place 3/8" thick spacers between the bracket and the frame as shown. Attach brackets to the frame as shown with 1/2" bolts and bolt plates down through the frame, spacers, and bracket. Bolt into the first and last holes in the bracket. Install conical washers and nuts on the bolts. Leave the nuts loose at this time.
2. Install the center section of the hitch as shown with the frame brackets on the inside of the center section. Use the 3/8" bolts with 3/8" flange nuts. **NOTE:** Be sure to use four holes to bolt each bracket to the center section.
3. Tighten the nuts in the following order:
First torque the 3/8" nuts to 35 ft•lb.
Then torque the 1/2" nuts to 70 ft•lb.

PICTURE ABOVE DOES NOT SHOW INNER MOUNTING BRACKET ON CROSS TUBE FOR CLARITY - SHOWN ON PAGE 9

TOOLS REQUIRED

3/4"	SOCKET
3/4"	WRENCH
9/16"	SOCKET
9/16"	WRENCH
19MM	WRENCH
19MM	SOCKET
15MM	SOCKET
15MM	WRENCH
1/2"	DRILL
	TORQUE WRENCH



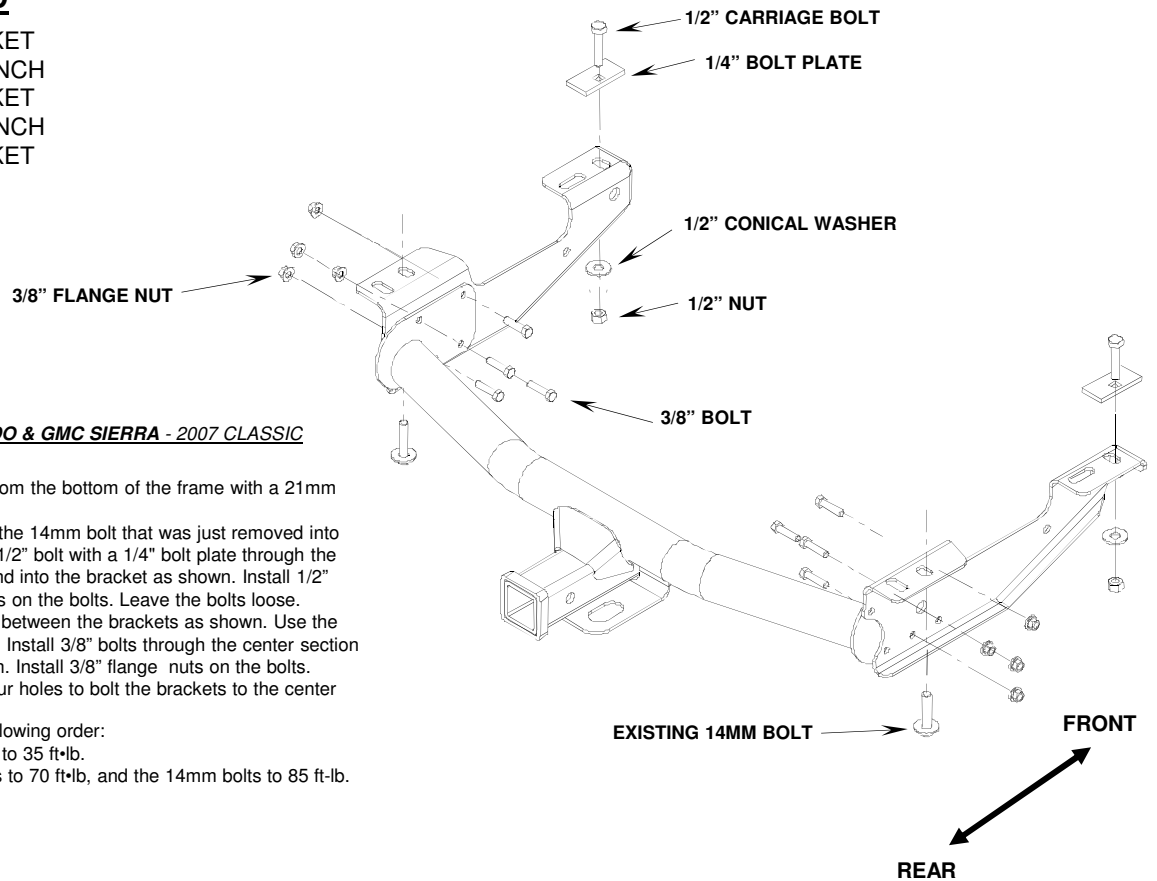
PICTURE ABOVE DOES NOT SHOW INNER MOUNTING BRACKET ON CROSS TUBE FOR CLARITY - SHOWN ON PAGE 9

1988-2000 CHEVY & GMC (CLASSIC):

1. Remove the 12mm diameter bolts at the end of the frame. Some vehicles have an 8mm diameter bolt on the passenger's side. Remove the bolt and reinstall it with the head on the bottom of the frame.
2. If your vehicle has rivets on the bottom of the frame, you will need to install one 3/8" thick spacer between the frame and the bracket at each bolting location. These are needed for clearance between the bracket and the rivet head. The bracket can not be bolted directly against the rivets.
3. Using the supplied 12mm diameter bolt, 1/2" conical washer and fasten the bracket to the frame where the 12mm diameter factory bolt was removed. See the illustration. For short beds use hole 2. For long beds use hole 1. **NOTE: SOME DUAL PIPE EXHAUST SYSTEMS WILL HIT THE BRACKET. THE EXHAUST WILL NEED TO BE MODIFIED.**
4. (Short Beds): Insert 1/2" bolts with bolt plates down through the 1" diameter holes in the frame and into the holes (4) in the bracket. Install a 1/2" flat washer, lock washer and nut on each bolt. Leave the nuts loose at this time.
5. (Long Beds): Insert 1/2" bolts with bolt plates down through the 1" diameter holes in the frame and into the holes (3) in the bracket. (On some models the forward hole may be 1/2".) Install a 1/2" conical washer and nut on each bolt. Leave the nuts loose at this time.
6. Place the center section between the brackets as shown. The spare tire may need to be loosened. Bolt through the center section and the bracket with 3/8" bolts, and 3/8" flange nuts. **NOTE: Be sure to use four holes to bolt the brackets to the center section.**
7. Tighten the nuts in the following order:
First torque the 3/8" nuts to 35 ft•lb.
Then torque the 1/2" nuts to 70 ft•lb, and the 12mm bolts to 75 ft•lb.
8. Retighten the spare tire if it was loosened.
9. Be sure that the spare tire is not rubbing against the brake hose. If needed, bend the bracket that the hose mounts to a little so that you have clearance between the tire and the brake hose.

TOOLS REQUIRED

3/4"	SOCKET
3/4"	WRENCH
9/16"	SOCKET
9/16"	WRENCH
21MM	SOCKET
	TORQUE WRENCH



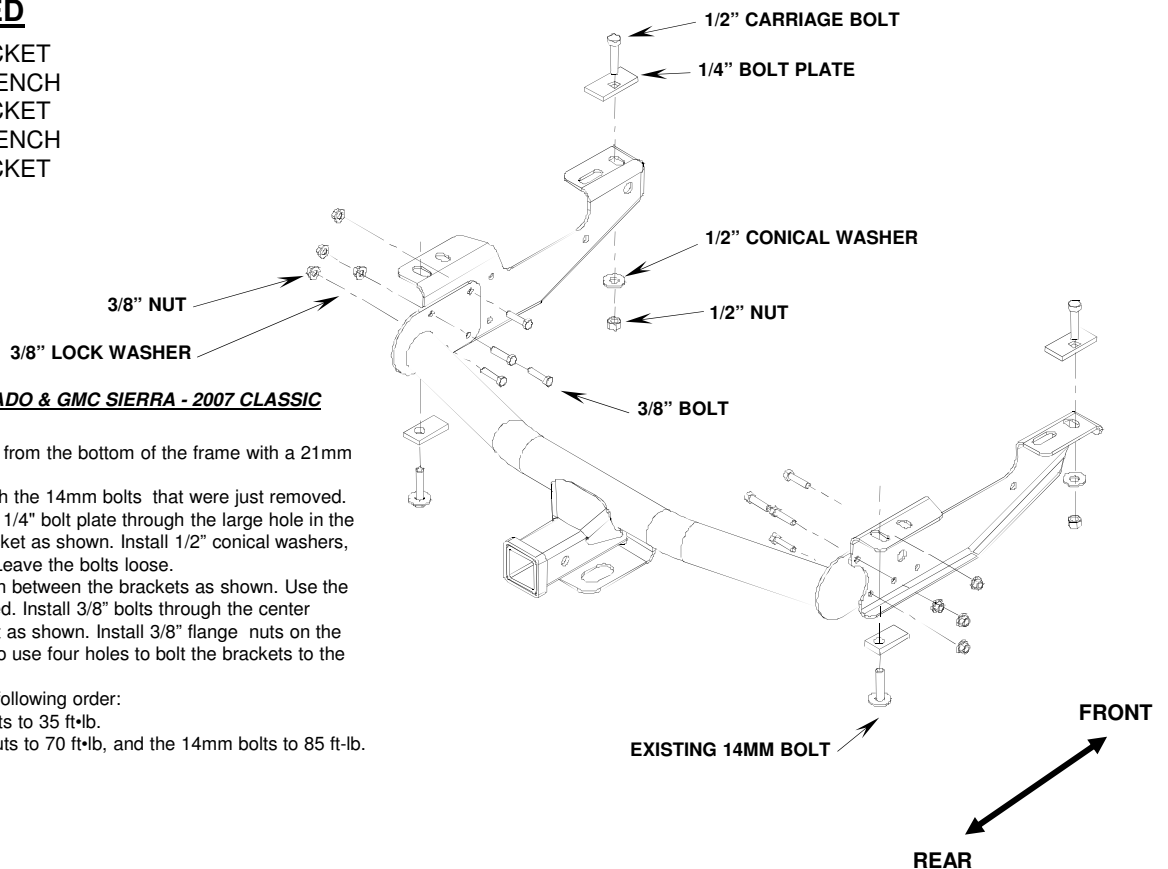
1999-2006 CHEVY SILVERADO & GMC SIERRA - 2007 CLASSIC (SHORT BEDS):

1. Remove the 14mm bolt from the bottom of the frame with a 21mm socket.
2. Bolt the brackets on with the 14mm bolt that was just removed into the hole shown. Insert a 1/2" bolt with a 1/4" bolt plate through the large hole in the frame and into the bracket as shown. Install 1/2" conical washers, and nuts on the bolts. Leave the bolts loose.
3. Install the center section between the brackets as shown. Use the bolting location indicated. Install 3/8" bolts through the center section and the bracket as shown. Install 3/8" flange nuts on the bolts.
NOTE: Be sure to use four holes to bolt the brackets to the center section.
4. Tighten the nuts in the following order:
First torque the 3/8" nuts to 35 ft•lb.
Then torque the 1/2" nuts to 70 ft•lb, and the 14mm bolts to 85 ft•lb.

PICTURE ABOVE DOES NOT SHOW INNER MOUNTING BRACKET ON CROSS TUBE FOR CLARITY - SHOWN ON PAGE 9

TOOLS REQUIRED

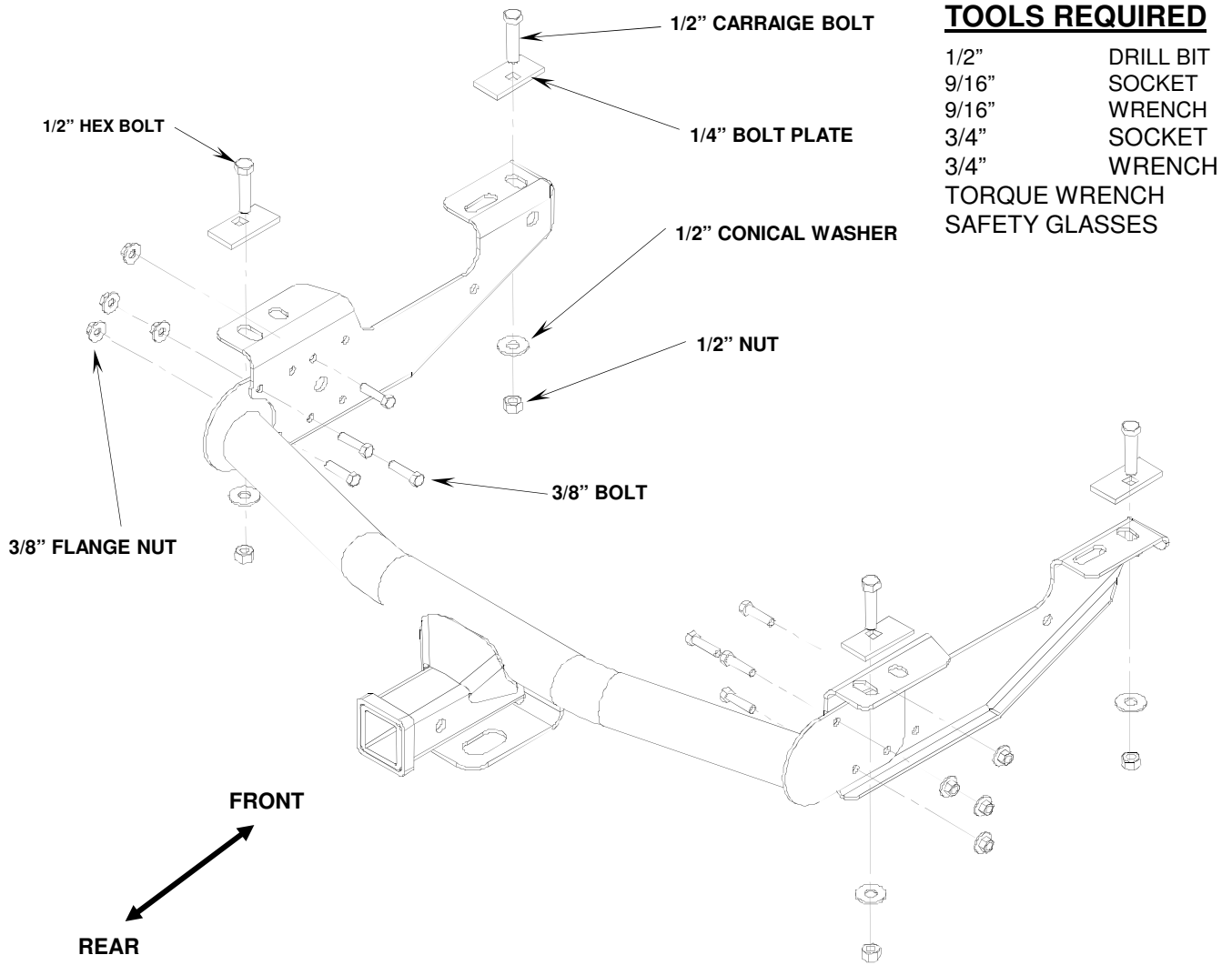
3/4"	SOCKET
3/4"	WRENCH
9/16"	SOCKET
9/16"	WRENCH
21MM	SOCKET
	TORQUE WRENCH



1999-2006 CHEVY SILVERADO & GMC SIERRA - 2007 CLASSIC (LONG BEDS):

1. Remove the 14mm bolt from the bottom of the frame with a 21mm socket.
2. Bolt the brackets on with the 14mm bolts that were just removed. Insert a 1/2" bolt with a 1/4" bolt plate through the large hole in the frame and into the bracket as shown. Install 1/2" conical washers, and nuts on the bolts. Leave the bolts loose.
3. Install the center section between the brackets as shown. Use the bolting location indicated. Install 3/8" bolts through the center section and the bracket as shown. Install 3/8" flange nuts on the bolts.
NOTE: Be sure to use four holes to bolt the brackets to the center section.
4. Tighten the nuts in the following order:
First torque the 3/8" nuts to 35 ft•lb.
Then torque the 1/2" nuts to 70 ft•lb, and the 14mm bolts to 85 ft•lb.

PICTURE ABOVE DOES NOT SHOW INNER MOUNTING BRACKET ON CROSS TUBE FOR CLARITY - SHOWN ON PAGE 9



TOOLS REQUIRED

- 1/2" DRILL BIT
- 9/16" SOCKET
- 9/16" WRENCH
- 3/4" SOCKET
- 3/4" WRENCH
- TORQUE WRENCH
- SAFETY GLASSES

PICTURE ABOVE DOES NOT SHOW INNER MOUNTING BRACKET ON CROSS TUBE FOR CLARITY - SHOWN ON PAGE 9

2000-2006 TOYOTA TUNDRA :

1. Use existing hole at the rear of the frame and install the 1/2" bolts through the bolt plates and into the frame. With the 1/2" conical washer and 1/2" nut, bolt the brackets to the frame. Leave the bolts loose enough to center bracket on frame of truck. Do not install fasteners in the forward hole in the brackets at this time.
2. Install the center section to the brackets as shown. Use the bolting location indicated. Install 3/8" bolts through the center section and the bracket as shown. Install 3/8" flange nuts on the bolts.
3. Using the forward most holes in the brackets as a guide drill a 1/2" hole and install the 1/2" bolts with 1/4" bolt plates through the frame and brackets. Then install the 1/2" conical washers and 1/2" nuts.

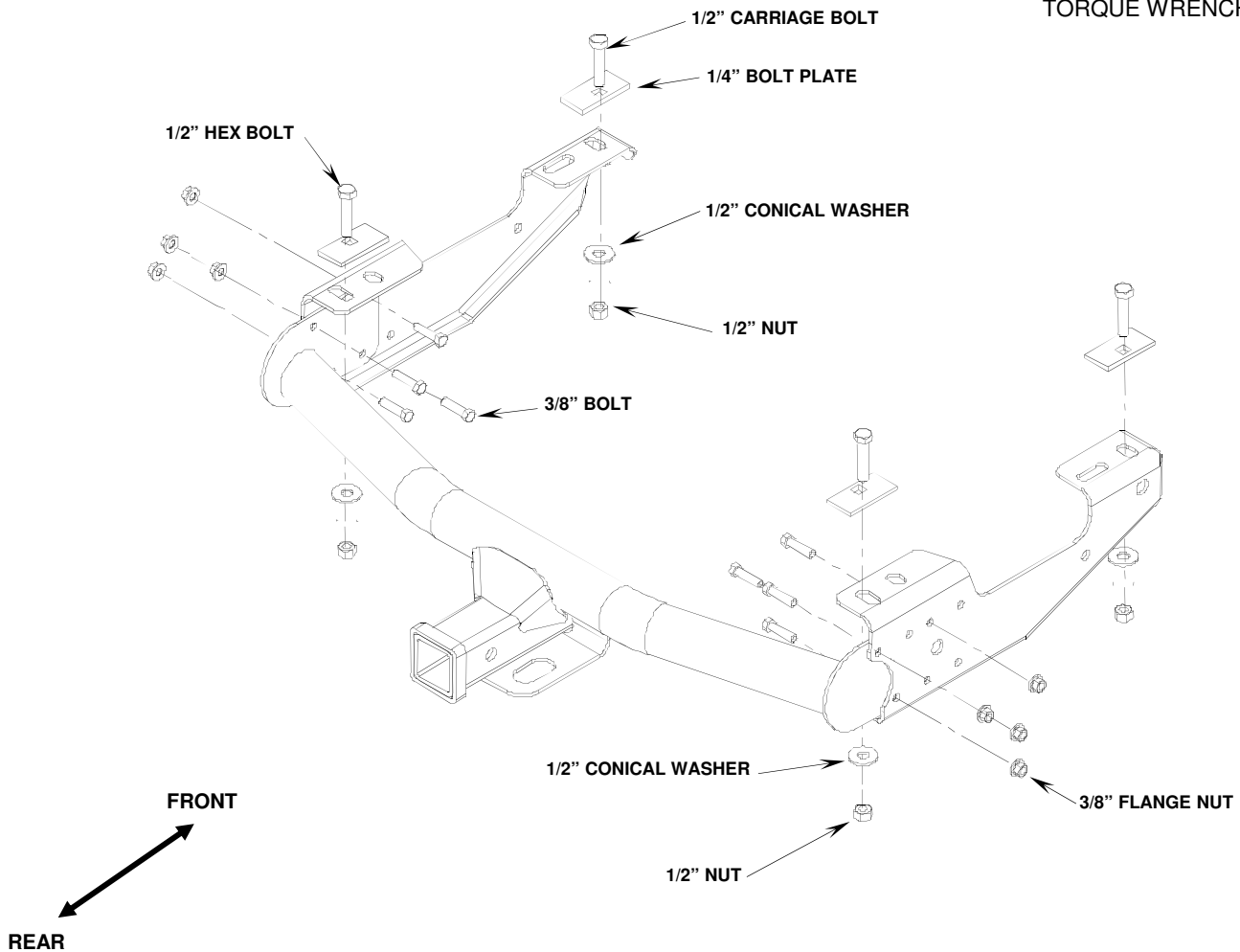
NOTE: Be sure to use four holes to bolt the brackets to the center section.

4. Tighten the nuts in the following order:
 First torque the 3/8" nuts to 35 ft•lb.
 Then torque the 1/2" nuts to 70 ft•lb.

NOTE: SIDE BRACKETS MAY DEFLECT WHEN TIGHTENED

TOOLS REQUIRED

3/4"	SOCKET
3/4"	WRENCH
9/16"	SOCKET
9/16"	WRENCH
	TORQUE WRENCH



PICTURE ABOVE DOES NOT SHOW INNER MOUNTING BRACKET ON CROSS TUBE FOR CLARITY - SHOWN ON PAGE 9

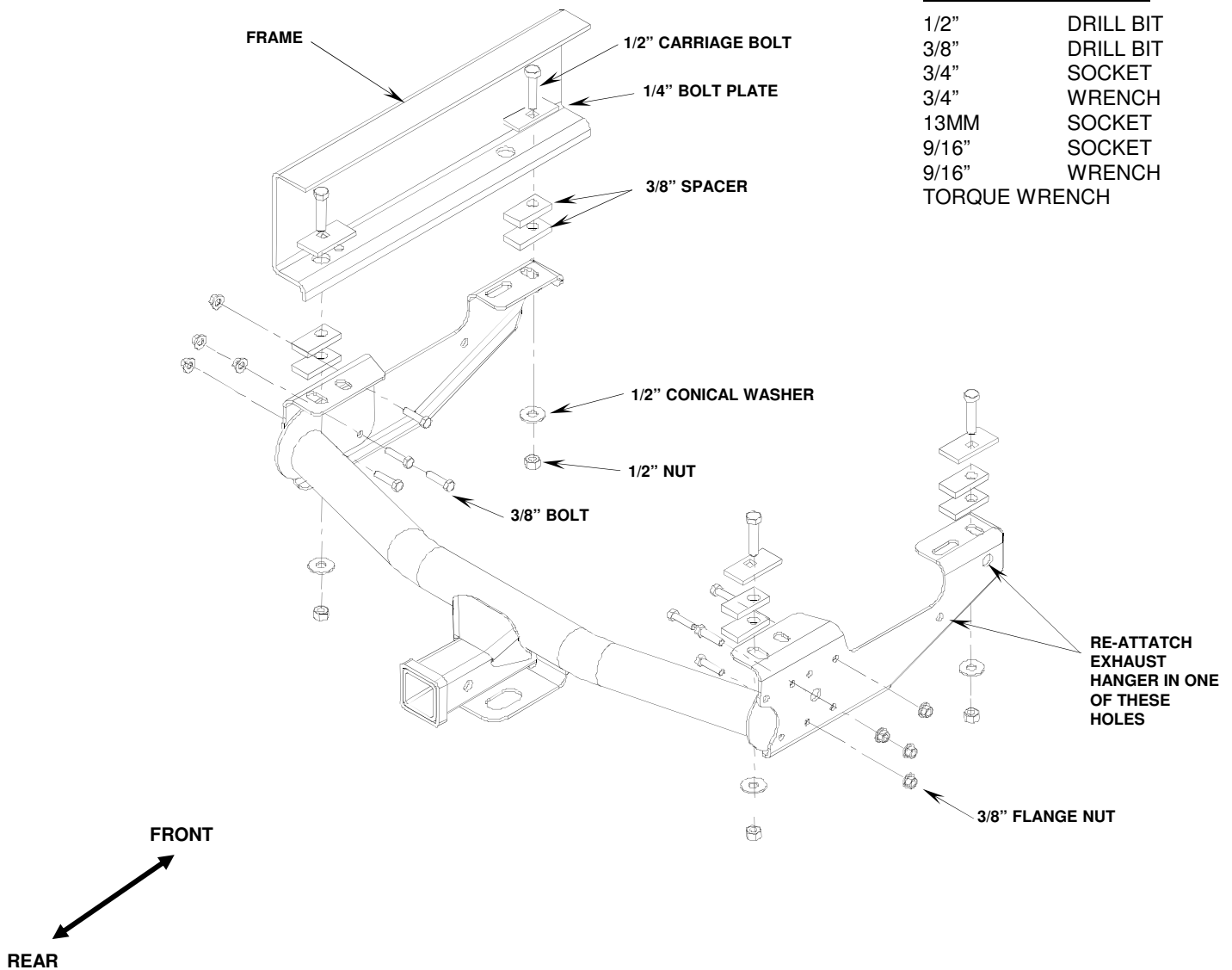
1971-1993 Dodge Pick Up:

1. Insert a 1/2" bolt with a 1/4" bolt plate down through the 1" diameter hole at the end of the frame. Do this on both sides. Fasten the frame brackets as shown, to the frame with 1/2" conical washers and nuts. Leave the bolts loose enough to center bracket on frame of truck.
NOTE; On some special frames all holes will have to be drilled as followed.
Loosely attach parts as noted in step 2. Clamp hitch to frame so the first and last hole in bracket is able to be used as drill guides to the frame.
2. Install the center section between the brackets as shown. Bolt through the center section and the brackets with 3/8" bolts, and 3/8" flange nuts. Use the holes shown. Leave the nuts finger tight at this time. Some spare tire carriers may need to be modified if the hitch hits the carrier. **NOTE:** Be sure to use four holes to bolt the brackets to the center section.
3. Using the hole in the bracket as a guide, drill a 1/2" diameter holes through the frame. Use the farthest front hole. Do this on both sides.
4. Insert 1/2" bolts with 1/4" bolt plates down through the frame and the bracket. Install 1/2" conical washers and nuts on the bolts.
5. Tighten the nuts in the following order:
First torque the 3/8" nuts to 35 ft•lb.
Then torque the 1/2" nuts to 70 ft•lb.

NOTE: SIDE BRACKETS WILL DEFLECT WHEN TIGHTENED

TOOLS REQUIRED

1/2"	DRILL BIT
3/8"	DRILL BIT
3/4"	SOCKET
3/4"	WRENCH
13MM	SOCKET
9/16"	SOCKET
9/16"	WRENCH
	TORQUE WRENCH



PICTURE ABOVE DOES NOT SHOW INNER MOUNTING BRACKET ON CROSS TUBE FOR CLARITY - SHOWN ON PAGE 9

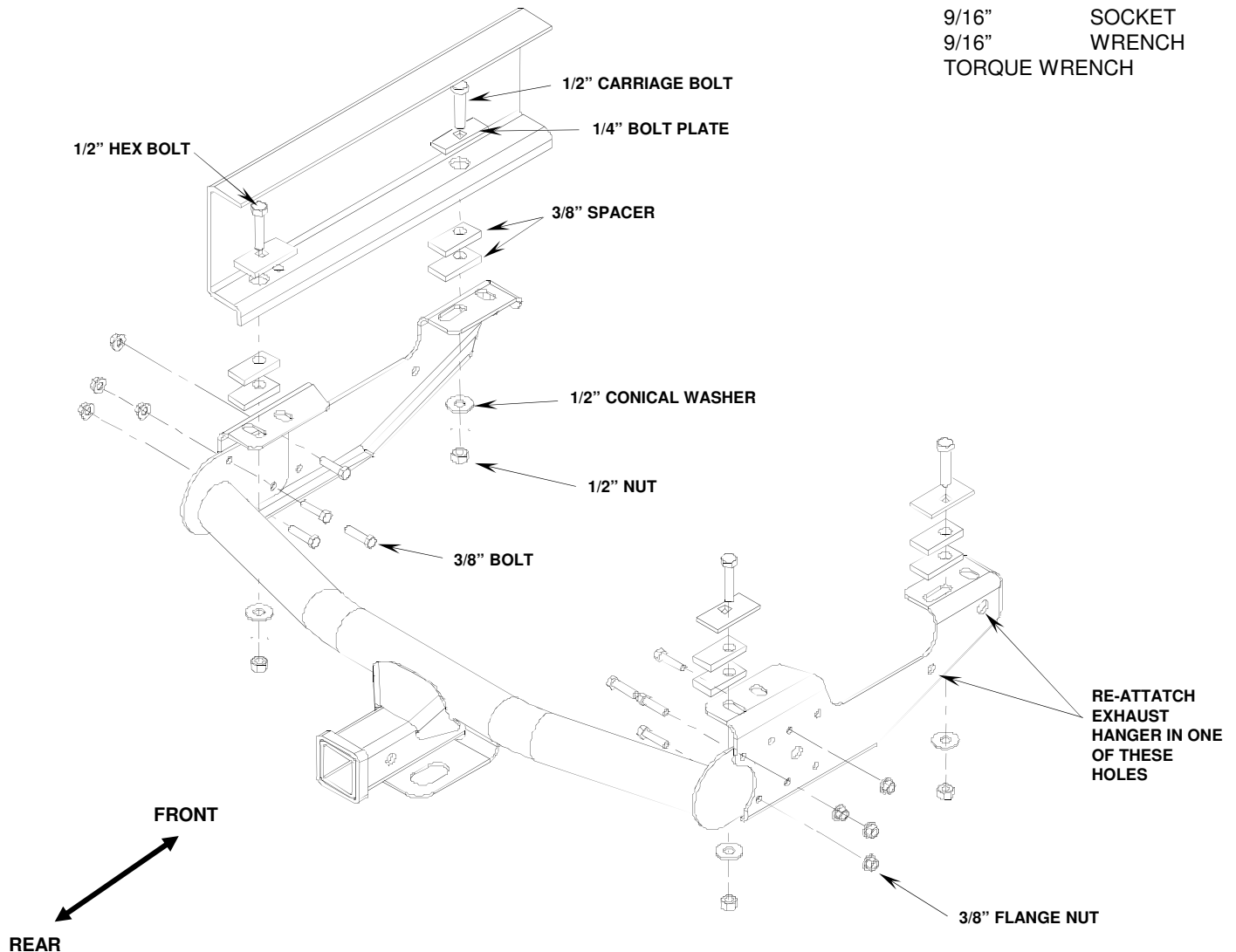
1994-2001 Dodge Pick Up Short Bed - All Models:

2002 Dodge Pick Up Short Bed 2500 & 3500 Series ONLY:

1. The spare tire may need to be loosened for installation.
2. Bolt the brackets to the frame as shown with a 1/2" bolt and 1/4" bolt plate inserted through the 1" diameter hole in the end of the frame. Install two 3/8" thick spacers between the frame and brackets at the rear bolting locations. Install 1/2" conical washers and nuts on the bolts. **NOTE:** For some models, the exhaust hanger will need to be unbolted from the frame.
3. Install the center section between the brackets as shown. Use the hole pattern that works best for your truck. Insert 3/8" bolts through the center section and the brackets. Install 3/8" flange nuts on the bolts. Finger tighten the bolts at this time. **NOTE:** Be sure to use four holes to bolt each bracket to the center section.
4. Using the hole in the bracket as a guide, drill a 1/2" hole through the frame. Use the hole shown in the diagram. Install 1/2" bolts with bolt plates into the holes. Be sure to insert two 3/8" thick spacers between the frame and the brackets. Install 1/2" conical washers and nuts on the bolts.
5. If the exhaust hanger was removed, drill a 3/8" hole through the hanger and attach it to the hitch bracket in one of the holes provided in the bracket. Use the 3/8" hardware provided to re-attach the exhaust hanger.
6. Tighten the nuts in the following order:
First torque the 3/8" nuts to 35 ft•lb.
Then torque the 1/2" nuts to 70 ft•lb.
7. If the spare tire was loosened, retighten it now.

TOOLS REQUIRED

3/8"	DRILL BIT
3/4"	SOCKET
3/4"	WRENCH
13MM	SOCKET
9/16"	SOCKET
9/16"	WRENCH
	TORQUE WRENCH

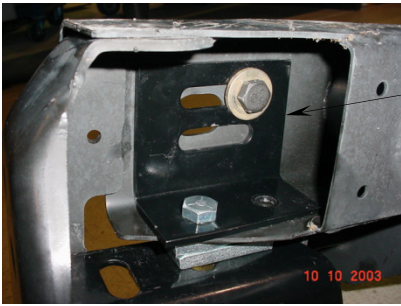


PICTURE ABOVE DOES NOT SHOW INNER MOUNTING BRACKET ON CROSS TUBE FOR CLARITY - SHOWN ON PAGE 9

1994-2001 Dodge Pick Up Long Bed - All Models:

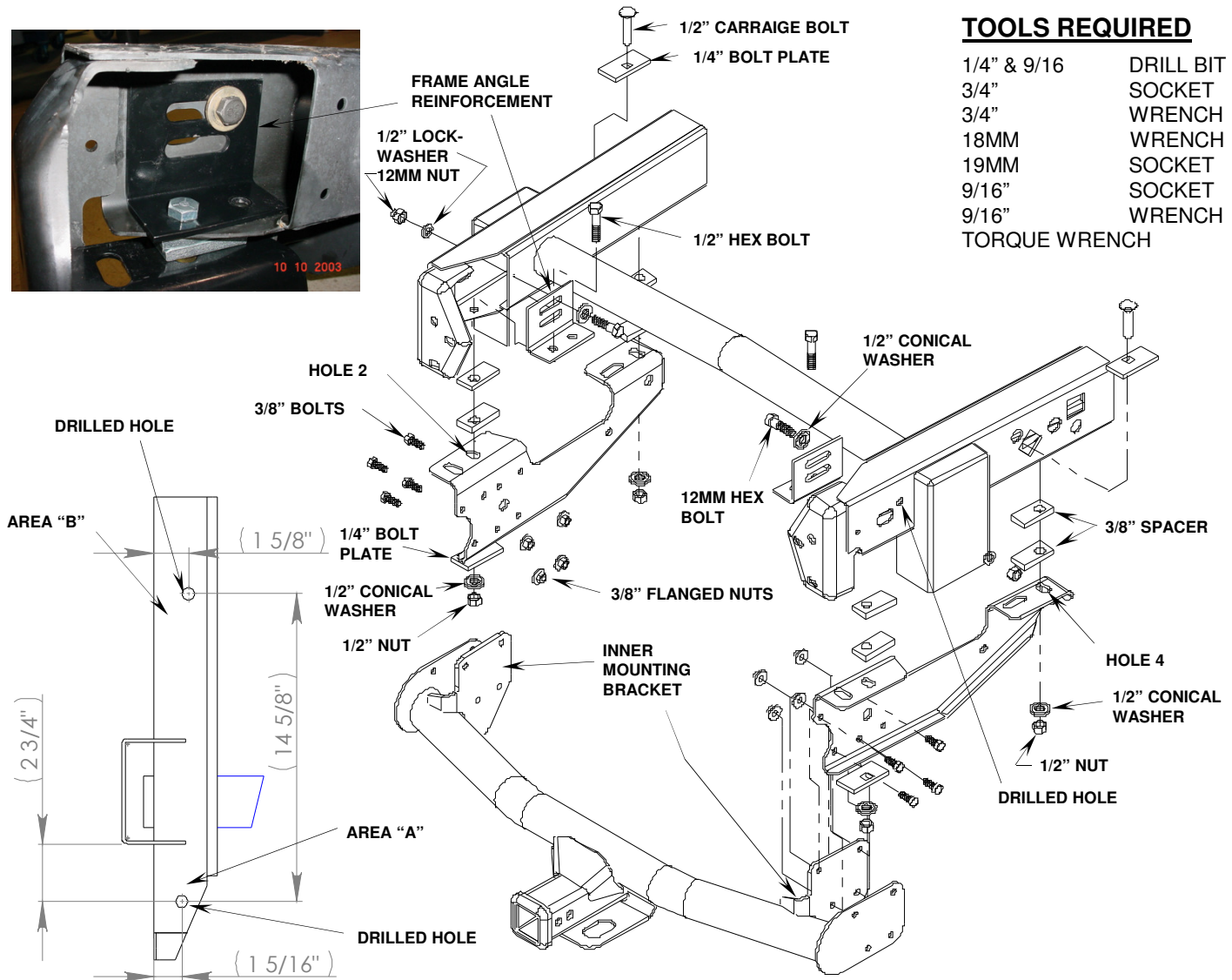
2002 Dodge Pick Up Long Bed 2500 & 3500 Series ONLY:

1. The spare tire may need to be loosened for installation.
2. Bolt the brackets to the frame as shown with a 1/2" bolt and 1/4" bolt plate inserted through the 1" diameter hole in the end of the frame. Install two 3/8" thick spacers between the frame and brackets at the rear bolting locations. Install 1/2" conical washers and nuts on the bolts. **NOTE:** For some models, the exhaust hanger will need to be unbolted from the frame.
3. Install the center section between the brackets as shown. Use the hole pattern that works best for your truck. Insert 3/8" bolts through the center section and the brackets. Install 3/8" flange nuts on the bolts. Finger tighten the bolts at this time. **NOTE:** Be sure to use four holes to bolt each bracket to the center section.
4. Insert a 1/2" bolt with a 1/4" bolt plate through the 1" hole in the frame and into the bracket as shown. Insert two 3/8" thick spacers between the frame and the bracket. Install a 1/2" conical washer and nut on the bolt. Do this on both sides.
5. If the exhaust hanger was removed, drill a 3/8" hole through the hanger and attach it to the hitch bracket in one of the holes provided in the bracket. Use the 3/8" hardware provided to re-attach the exhaust hanger.
6. Tighten the nuts in the following order:
First torque the 3/8" nuts to 35 ft•lb.
Then torque the 1/2" nuts to 70 ft•lb.
7. If the spare tire was loosened, retighten it now.



TOOLS REQUIRED

1/4" & 9/16"	DRILL BIT
3/4"	SOCKET
3/4"	WRENCH
18MM	WRENCH
19MM	SOCKET
9/16"	SOCKET
9/16"	WRENCH
	TORQUE WRENCH



REAR OF FRAME

(VIEW OF BOTTOM PASSANGER SIDE FRAME)

2004 - 05 FORD F-150 (NEW BODY STYLE) WITHOUT VIBRATION DAMPENER ON FRAME

1. Lower spare tire for ease of installation.
2. Apply masking tape to the bottom of frame in area "A" and area "B". Same on both frame rails .
3. Measure from the outside of the frame inward 1 5/16" and make a line the length of area "A".
4. Measure from the outside of the frame inward 1 5/8" and make a line the length of area "B".
5. Measure from rear of spring shackle 2 3/4" and make a mark in area "A" . From that mark, measure 14 5/8" forward and make a mark in area "B".
6. Hold side bracket up to bottom of frame. Double check hole 2 and 4 in side bracket for proper line up with marks. If they don't line up, adjust the marks in area "B".
7. Center punch and pilot drill with 1/4" drill bit . Total of 4 holes (2 per frame rail).
8. Enlarge the pilot hole with 9/16" drill bit.
9. Loosely install side brackets as shown. Include the angle reinforcement on the inside of the frame and blocks under the frame.
10. Install the cross tube assembly between the side brackets and secure it with (4) 3/8" bolts per side.
11. Tighten the 3/8" crosstube bolts first to 35 ft•LB. Then tighten the 1/2" frame mounting bolts to 70 ft•LB.
12. Using the top slot of the frame angle reinforcement placed inside the frame in step 8. Drill a 1/2" hole in the side of the frame as far forward as slot will permit.
13. Install the M-12 fasteners through the frame side as shown and tighten to 75 ft•LB .
14. Raise spare tire.



INSTRUCTIONS D'INSTALLATION

ATTELAGE POLYVALENT POUR CAMIONNETTES

N° DE PRODUIT

37069

37133

PAQUET DE
PETITES PIÈCES 37536

Cequent Products

AVERTISSEMENT: Ne lubrifiez pas les filets; serrer excessivement les boulons pourrait les endommager ou les briser.

AVERTISSEMENT: Ne percez ni soudez cet attelage.

NOTES IMPORTANTES

Utilisez seulement les boulons, les écrous et les rondelles fournis ou approuvés par Reese pour installer cet attelage.

OUTILS REQUIS

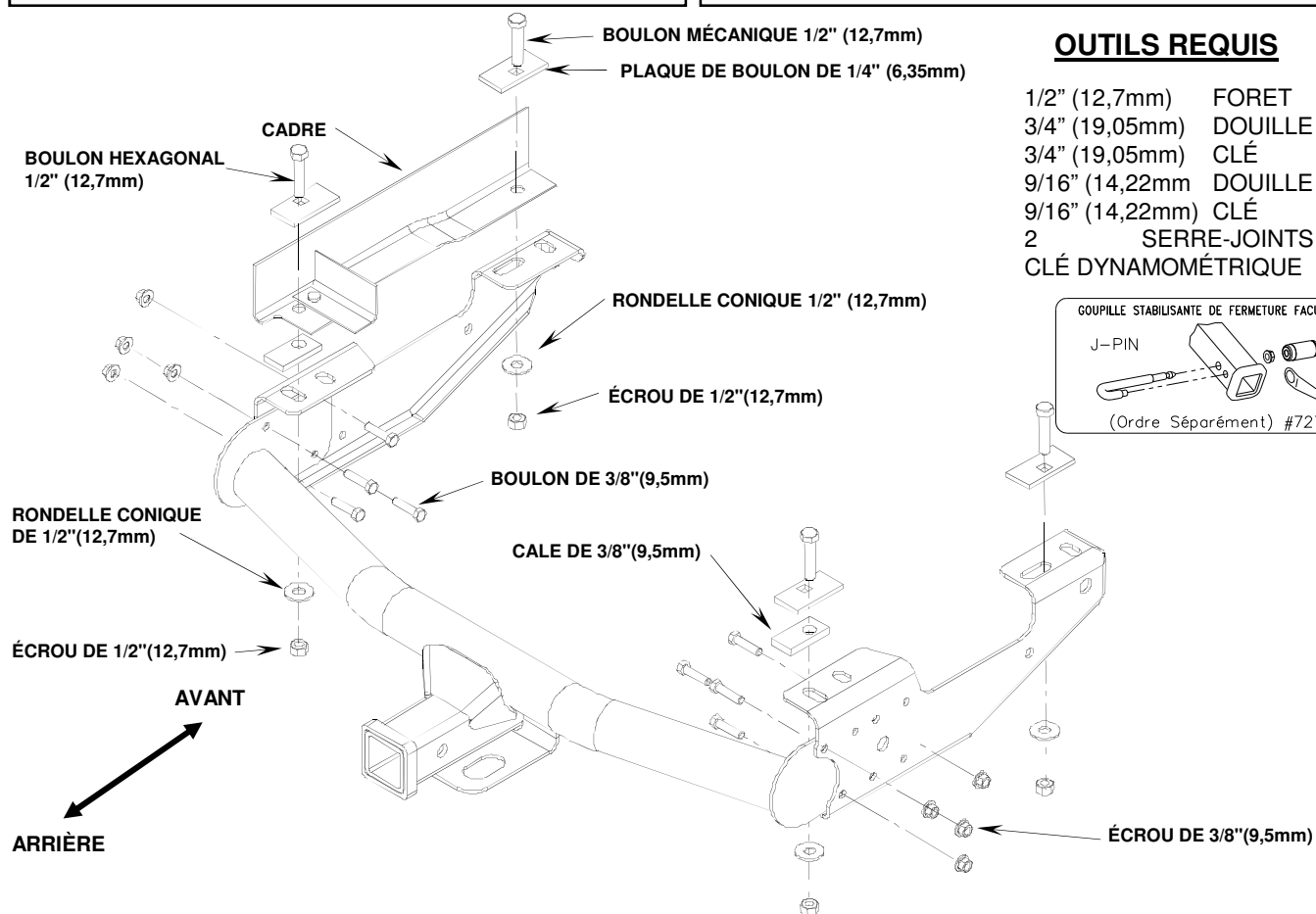
1/2" (12,7mm)	FORET
3/4" (19,05mm)	DOUILLE
3/4" (19,05mm)	CLÉ
9/16" (14,22mm)	DOUILLE
9/16" (14,22mm)	CLÉ
2	SERRE-JOINTS
	CLÉ DYNAMOMÉTRIQUE

GOUILLE STABILISANTE DE FERMETURE FACULTATIVE

J-PIN



(Ordre Séparément) #72774



L'IMAGE CI-dessus NE MONTRE PAS LE SUPPORT INTÉRIEUR SUR LE TUBE EN TRAVERS POUR LA CLARTÉ - MONTRÉE À LA PAGE 18

1973-1996 Ford Camionnette de Pleine Grandeur et 1997 F-250 Robuste / F-350 Robuste:

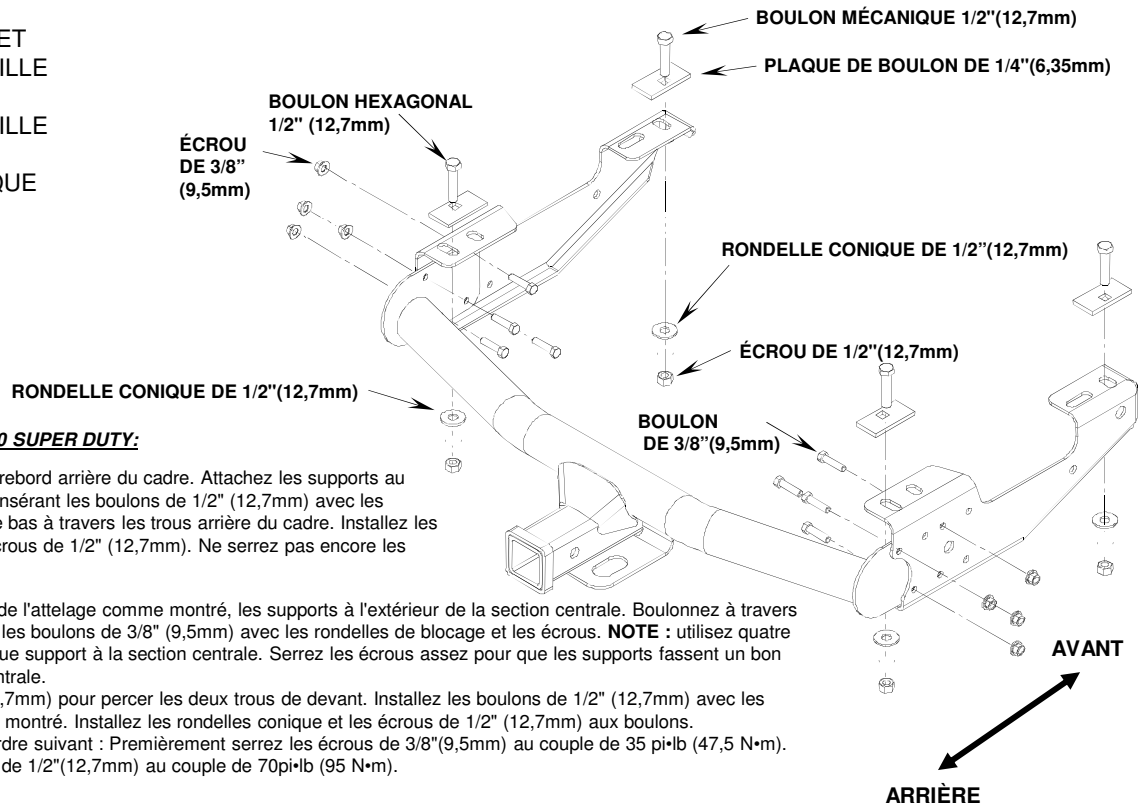
1. Assemblez les trois pièces de l'attelage au sol avant de l'attacher à la camionnette. Utilisez les boulons de 3/8" (9,5mm), les rondelles de blocage, et les écrous de 3/8" (9,5mm) pour boulonner les supports à la section centrale comme illustré. Mettez les supports à l'extérieur de la section centrale. Mettez les boulons à travers les trous indiqués au diagramme. Gardez les boulons assez desserrés pour pouvoir centrer les supports par rapport au cadre du véhicule. **NOTE :** utilisez quatre trous pour boulonner chaque support à la section centrale.
2. Serrez l'attelage au cadre avec une cale de 3/8" (9,5mm) d'épaisseur entre l'attelage et le cadre à l'arrière. Alignez les extrémités des supports avec l'extrémité du cadre comme montré.
3. Utilisez les trous des supports comme guide pour percer les trous de 1/2" (12,7mm) de diamètre dans le cadre aux points montrés.
4. Insérez les boulons de 1/2" (12,7mm) avec les plaques de boulon vers le bas à travers le cadre et le support. Mettez une cale de 3/8" (9,5mm) d'épaisseur entre le cadre et le support à chaque trou de montage arrière. Installez les rondelles conique et les écrous de 1/2" (12,7mm) aux boulons.
5. Serrez les écrous dans l'ordre suivant : Premièrement serrez les écrous de 3/8" (9,5mm) au couple de 35 pi•lb (47,5 N•m). Ensuite, serrez les écrous de 1/2" (12,7mm) au couple de 70pi•lb (95 N•m).

REMARQUE : LES SUPPORTS LATÉRAUX FLÉCHISSENT AU SERRAGE

Pour obtenir de l'assistance technique, consultez notre site Web à
www.cequentgroup.com ou composez le 1-800-234-6992

OUTILS REQUIS

1/2" (12,7mm) FORET
 3/4" (19,05mm) DOUILLE
 3/4" (19,05mm) CLÉ
 9/16" (14,22mm) DOUILLE
 9/16" (14,22mm) CLÉ
 CLÉ DYNAMOMÉTRIQUE



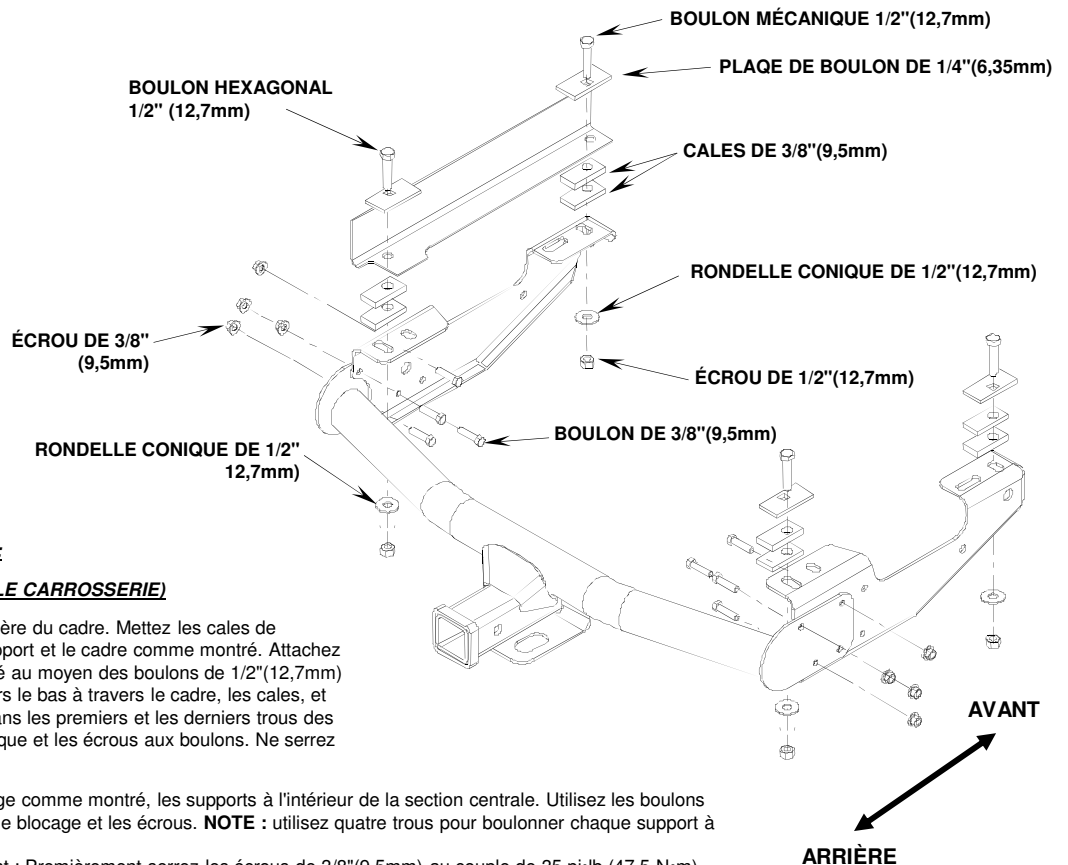
1998-2004 FORD F-250 & F-350 SUPER DUTY:

1. Alignez le support avec le rebord arrière du cadre. Attachez les supports au cadre comme montré, en insérant les boulons de 1/2" (12,7mm) avec les plaques de boulons vers le bas à travers les trous arrière du cadre. Installez les rondelles conique et les écrous de 1/2" (12,7mm). Ne serrez pas encore les écrous.
2. Installez la section central de l'attelage comme montré, les supports à l'extérieur de la section centrale. Boulonnez à travers les trous indiqués. Utilisez les boulons de 3/8" (9,5mm) avec les rondelles de blocage et les écrous. **NOTE** : utilisez quatre trous pour boulonner chaque support à la section centrale. Serrez les écrous assez pour que les supports fassent un bon contact avec la section centrale.
3. Utilisez le foret de 1/2" (12,7mm) pour percer les deux trous de devant. Installez les boulons de 1/2" (12,7mm) avec les plaques de boulon comme montré. Installez les rondelles conique et les écrous de 1/2" (12,7mm) aux boulons.
4. Serrez les écrous dans l'ordre suivant : Premièrement serrez les écrous de 3/8"(9,5mm) au couple de 35 pi•lb (47,5 N•m). Ensuite, serrez les écrous de 1/2"(12,7mm) au couple de 70pi•lb (95 N•m).

L'IMAGE CI-dessus NE MONTRE PAS LE SUPPORT INTÉRIEUR SUR LE TUBE EN TRAVERS POUR LA CLARTÉ - MONTRÉE À LA PAGE 18

OUTILS REQUIS

3/4" (19,05mm) DOUILLE
 3/4" (19,05mm) CLÉ
 9/16" (14,22mm) DOUILLE
 9/16" (14,22mm) CLÉ
 CLÉ DYNAMOMÉTRIQUE



1997-2003 FORD F-150 et F-250 LÉGER:

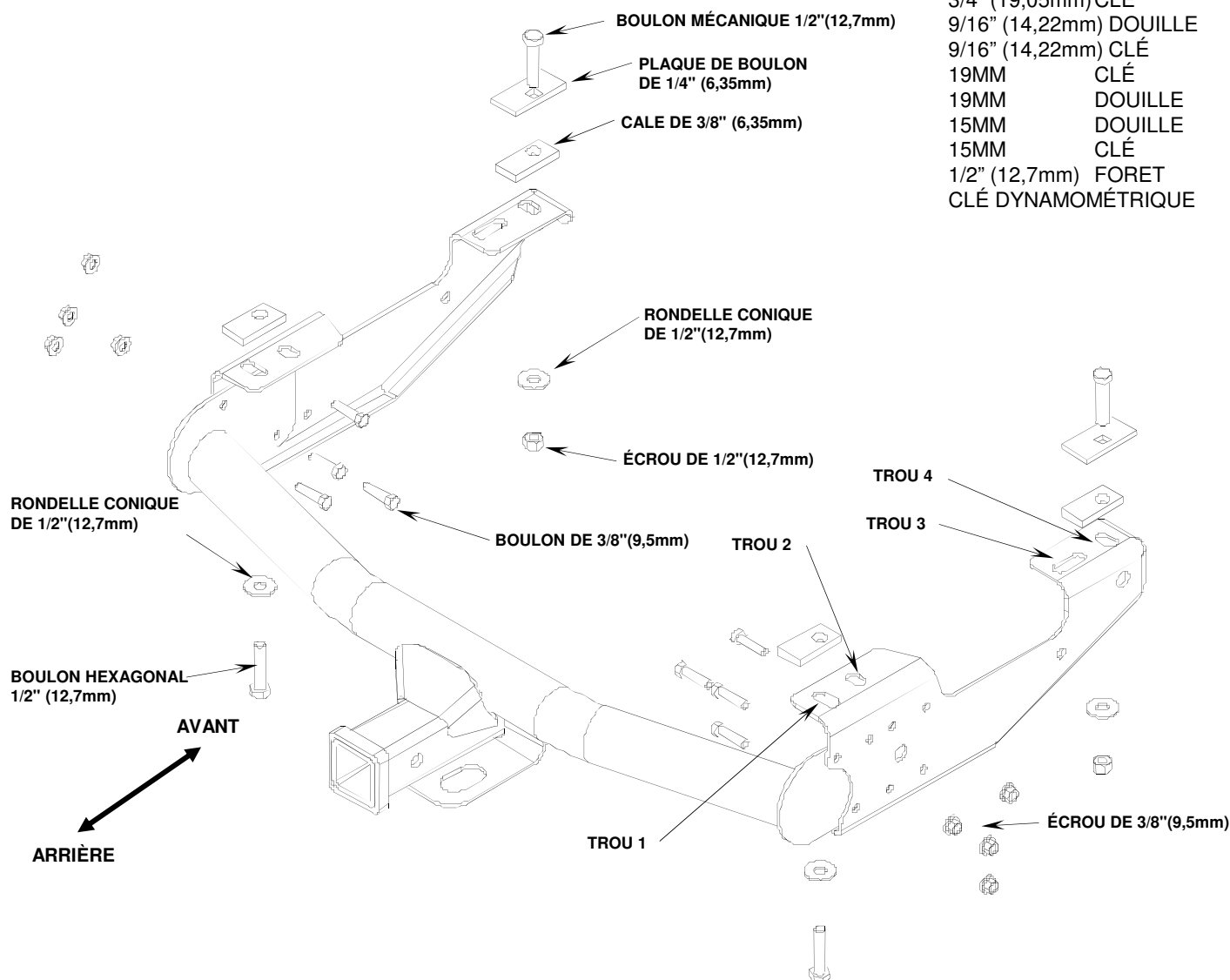
HÉRITAGE 2004 DE FORD F-150 (VIEILLE CARROSSERIE)

1. Alignez le support avec le rebord arrière du cadre. Mettez les cales de 3/8"(9,5mm) d'épaisseur entre le support et le cadre comme montré. Attachez les supports au cadre comme montré au moyen des boulons de 1/2"(12,7mm) et les plaques de boulon installés vers le bas à travers le cadre, les cales, et les supports. Installez les boulons dans les premiers et les derniers trous des supports. Installez les rondelles conique et les écrous aux boulons. Ne serrez pas encore les écrous.
2. Installez la section central de l'attelage comme montré, les supports à l'intérieur de la section centrale. Utilisez les boulons de 3/8" (9,5mm) avec les rondelles de blocage et les écrous. **NOTE** : utilisez quatre trous pour boulonner chaque support à la section centrale.
3. Serrez les écrous dans l'ordre suivant : Premièrement serrez les écrous de 3/8"(9,5mm) au couple de 35 pi•lb (47,5 N•m). Ensuite, serrez les écrous de 1/2"(12,7mm) au couple de 70pi•lb (95 N•m).

L'IMAGE CI-dessus NE MONTRE PAS LE SUPPORT INTÉRIEUR SUR LE TUBE EN TRAVERS POUR LA CLARTÉ - MONTRÉE À LA PAGE 18

OUTILS REQUIS

3/4" (19,05mm) DOUILLE
 3/4" (19,05mm) CLÉ
 9/16" (14,22mm) DOUILLE
 9/16" (14,22mm) CLÉ
 19MM CLÉ
 19MM DOUILLE
 15MM DOUILLE
 15MM CLÉ
 1/2" (12,7mm) FORET
 CLÉ DYNAMOMÉTRIQUE



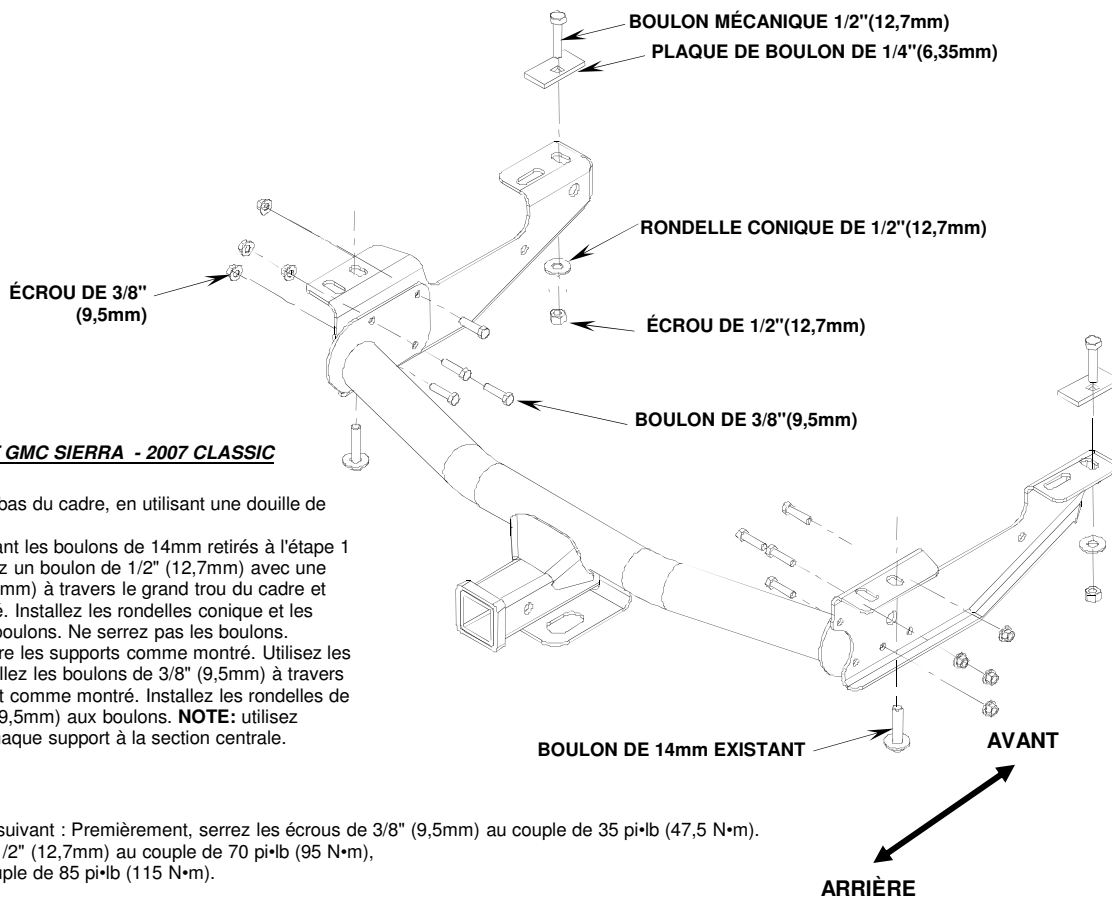
L'IMAGE CI-DESSUS NE MONTRE PAS LE SUPPORT INTÉRIEUR SUR LE TUBE EN TRAVERS POUR LA CLARTÉ - MONTRÉE À LA PAGE 18

1988-2000 CHEVY ET GMC (CLASSIC):

1. Retirez les boulons de 12mm à l'extrémité du cadre. Certains véhicules ont un boulon de 8mm du côté passager. Retirez le boulon et réinstallez pour que la tête soit au bas du cadre.
2. Si votre véhicule a des rivets au bas du cadre, il faut installer une cale de 3/8" (9,5mm) d'épaisseur entre le cadre et le support à chaque boulon. Celles-ci font d'espace entre le support et la tête du rivet. Le support ne peut pas être boulonné directement contre les rivets.
3. Utilisez le boulon de 12mm fourni et une rondelle conique de 1/2" (12,7mm) pour attacher le support au cadre où le boulon d'origine a été retiré. Voir l'illustration. Caisnes courtes, utilisez le trou 2. Caisnes longues, utilisez le trou 1. **NOTE : CERTAINS SYSTÈMES D'ÉCHAPPEMENT DOUBLE PEUVENT COINCER LE SUPPORT. IL FAUT MODIFIER L'ÉCHAPPEMENT.**
4. (Caisnes courtes) : Insérez les boulons de 1/2" (12,7mm) avec les plaques de boulons vers le bas à travers les trous de 1" (25,4mm) de diamètre dans le cadre, et dans les trous (4) au support. Installez une rondelle plate, une rondelle de blocage, et un écrou de 1/2" (12,7mm) à chaque boulon. Ne serrez pas encore les écrous.
5. (Caisnes longues) : Insérez les boulons de 1/2" (12,7mm) avec les plaques de boulons vers le bas à travers les trous de 1" (25,4mm) de diamètre dans le cadre, et dans les trous (3) au support. (À certains modèles, les trous de devant peuvent être de 1/2" (12,7mm)). Installez une rondelle conique et un écrou de 1/2" (12,7mm) à chaque boulon. Ne serrez pas encore les écrous.
6. Mettez la section centrale entre les supports comme montré. Il peut être nécessaire de desserrer le pneu de rechange. Insérez les boulons à travers la section centrale et les supports, en utilisant les boulons, les rondelles de blocage, et les écrous de 3/8" (9,5mm). **NOTE : utilisez quatre trous pour boulonner chaque support à la section centrale.**
7. Serrez les écrous dans l'ordre suivant : Premièrement serrez les écrous de 3/8" (9,5mm) au couple de 35 pi•lb (47,5 N•m). Ensuite, serrez les écrous de 1/2" (12,7mm) au couple de 70 pi•lb (95 N•m) et les boulons de 12mm au couple de 75 pi•lb (102 N•m).
8. Resserer le pneu de rechange s'il a été desserré.
9. Assurez-vous que le pneu de rechange ne frotte pas le tuyau de freins. Si nécessaire, pliez un peu le support de montage du tuyau de freins pour qu'il y ait suffisamment d'espace entre le pneu et le tuyau de freins.

OUTILS REQUIS

3/4" (19,05mm)	DOUILLE
3/4" (19,05mm)	CLÉ
9/16" (14,22mm)	DOUILLE
9/16" (14,22mm)	CLÉ
21MM	DOUILLE
	CLÉ DYNAMOMÉTRIQUE



1999-2006 CHEVY SILVERADO ET GMC SIERRA - 2007 CLASSIC (CAISSES COURTES):

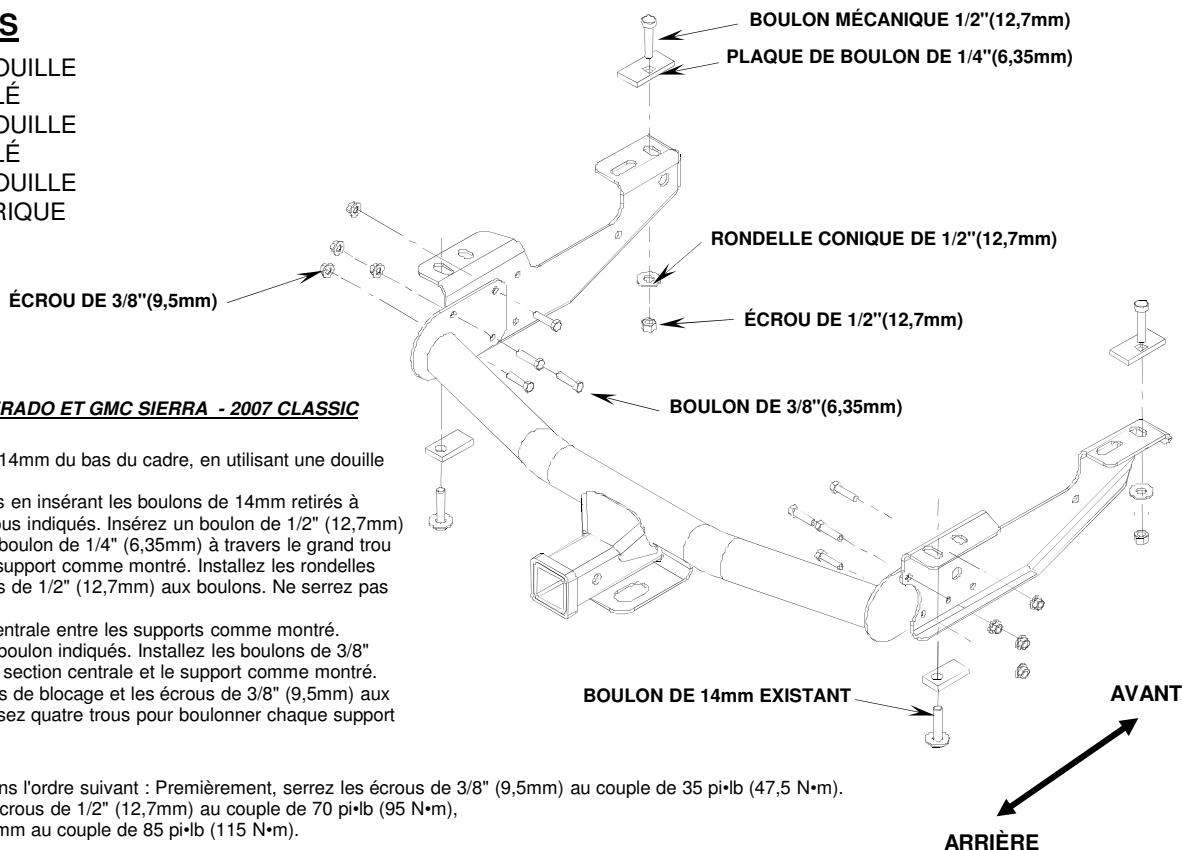
1. Retirez le boulon de 14mm du bas du cadre, en utilisant une douille de 21mm.
2. Attachez les supports en insérant les boulons de 14mm retirés à l'étape 1 dans les trous indiqués. Insérez un boulon de 1/2" (12,7mm) avec une plaque de boulon de 1/4" (6,35mm) à travers le grand trou du cadre et dans le support comme montré. Installez les rondelles conique et les écrous de 1/2" (12,7mm) aux boulons. Ne serrez pas les boulons.
3. Installez la section centrale entre les supports comme montré. Utilisez les trous de boulon indiqués. Installez les boulons de 3/8" (9,5mm) à travers la section centrale et le support comme montré. Installez les rondelles de blocage et les écrous de 3/8" (9,5mm) aux boulons. **NOTE:** utilisez quatre trous pour boulonner chaque support à la section centrale.

4. Serrez les écrous dans l'ordre suivant : Premièrement, serrez les écrous de 3/8" (9,5mm) au couple de 35 pi•lb (47,5 N•m). Ensuite, serrez les écrous de 1/2" (12,7mm) au couple de 70 pi•lb (95 N•m), et les boulons de 14mm au couple de 85 pi•lb (115 N•m).

L'IMAGE CI-dessus NE MONTRE PAS LE SUPPORT INTÉRIEUR SUR LE TUBE EN TRAVERS POUR LA CLARTÉ - MONTRÉE À LA PAGE 18

OUTILS REQUIS

3/4" (19,05mm)	DOUILLE
3/4" (19,05mm)	CLÉ
9/16" (14,22mm)	DOUILLE
9/16" (14,22mm)	CLÉ
21MM	DOUILLE
	CLÉ DYNAMOMÉTRIQUE

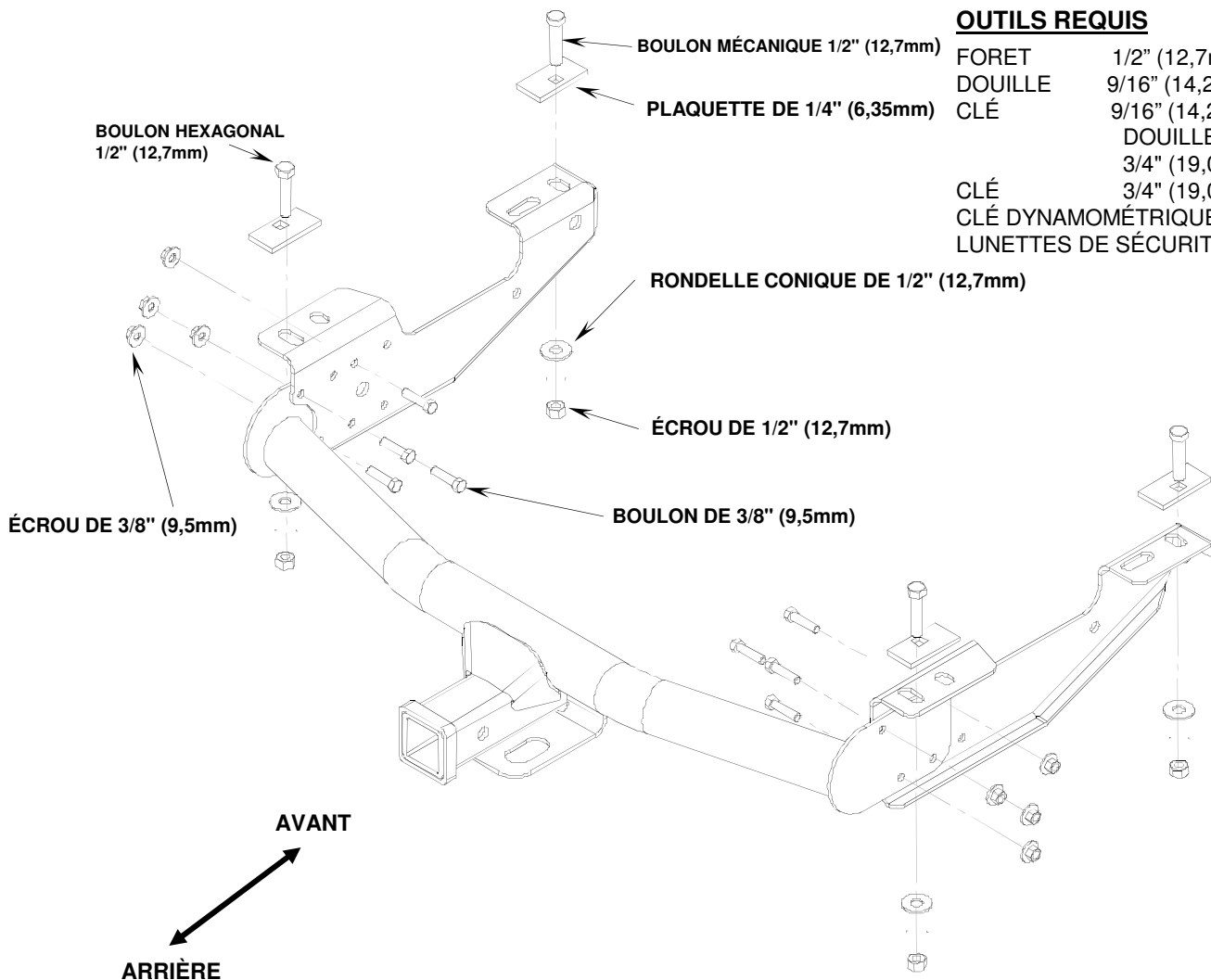


1999-2006 CHEVY SILVERADO ET GMC SIERRA - 2007 CLASSIC (CAISSES LONGUES):

1. Retirez le boulon de 14mm du bas du cadre, en utilisant une douille de 21mm.
2. Attachez les supports en insérant les boulons de 14mm retirés à l'étape 1 dans les trous indiqués. Insérez un boulon de 1/2" (12,7mm) avec une plaque de boulon de 1/4" (6,35mm) à travers le grand trou du cadre et dans le support comme montré. Installez les rondelles conique et les écrous de 1/2" (12,7mm) aux boulons. Ne serrez pas les boulons.
3. Installez la section centrale entre les supports comme montré. Utilisez les trous de boulon indiqués. Installez les boulons de 3/8" (9,5mm) à travers la section centrale et le support comme montré. Installez les rondelles de blocage et les écrous de 3/8" (9,5mm) aux boulons. **NOTE:** utilisez quatre trous pour boulonner chaque support à la section centrale.

4. Serrez les écrous dans l'ordre suivant : Premièrement, serrez les écrous de 3/8" (9,5mm) au couple de 35 pi•lb (47,5 N•m). Ensuite, serrez les écrous de 1/2" (12,7mm) au couple de 70 pi•lb (95 N•m), et les boulons de 14mm au couple de 85 pi•lb (115 N•m).

L'IMAGE CI-dessus NE MONTRE PAS LE SUPPORT INTÉRIEUR SUR LE TUBE EN TRAVERS POUR LA CLARTÉ - MONTRÉE À LA PAGE 18



OUTILS REQUIS

FORET	1/2" (12,7mm)
DOUILLE	9/16" (14,22mm)
CLÉ	9/16" (14,22mm)
	DOUILLE
	3/4" (19,05mm)
CLÉ	3/4" (19,05mm)
CLÉ DYNAMOMÉTRIQUE	
LUNETTES DE SÉCURITÉ	

L'IMAGE CI-dessus NE MONTRE PAS LE SUPPORT INTÉRIEUR SUR LE TUBE EN TRAVERS POUR LA CLARTÉ - MONTRÉE À LA PAGE 18

TOYOTA TUNDRA (2000-2006) :

1. Servez-vous des trous pratiqués à l'arrière du cadre pour y insérer les boulons de 1/2" (12,7mm) à travers les plaquettes. À l'aide de la rondelle conique et de l'écrou de 1/2" (12,7mm) fixez les supports au cadre. Gardez les boulons assez desserrés pour pouvoir centrer les supports par rapport au cadre du véhicule. N'installez pas de boulon dans le trou avant des supports pour le moment.
2. Raccordez la section centrale aux supports comme illustré. Utilisez les emplacements de boulonnage indiqués. Insérez les boulons de 3/8" (9,5mm) dans la section centrale et les supports, comme illustré. Posez les écrous de 3/8" (9,5mm) sur les boulons.
3. En vous servant des trous avant extrêmes comme guides, percez un trou de 1/2" (12,7mm) et insérez les boulons de 1/2" (12,7mm) dans le cadre et les supports, à travers les plaquettes de 1/4" (6,35mm). Placez la rondelle conique et les écrous de 1/2" (12,7mm).

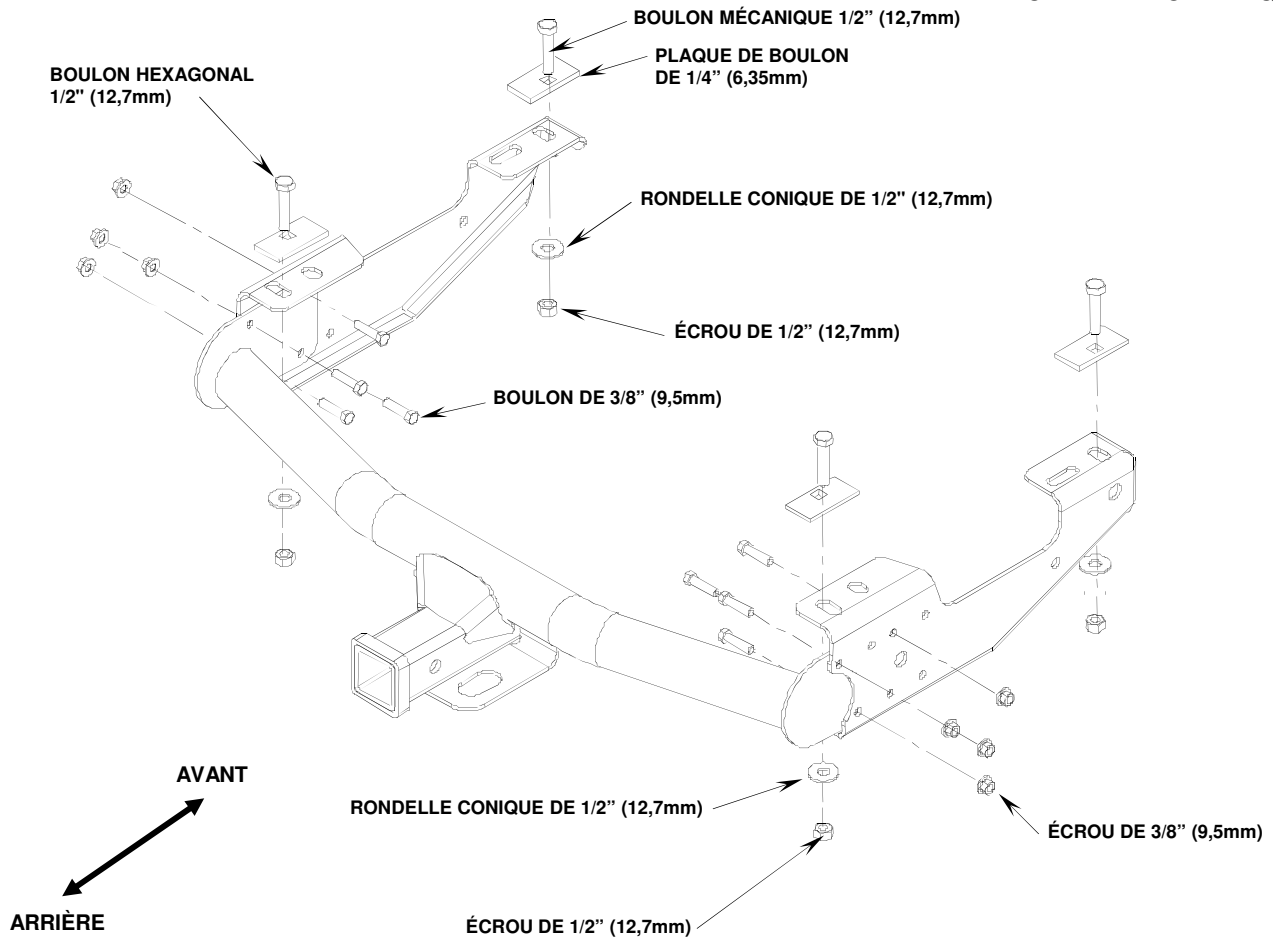
REMARQUE : assurez-vous de bien utiliser les quatre trous pour le boulonnage des supports sur la section centrale.

4. Serrez les écrous dans l'ordre suivant :
 d'abord les écrous 3/8" (9,5mm) à 35 pi•lb (47,5 N•m).
 puis les écrous 1/2" (12,7mm) à 70 pi•lb (95 N•m).

REMARQUE : LES SUPPORTS LATÉRAUX FLÉCHISSENT AU SERRAGE

OUTILS REQUIS

3/4" (19,05mm) DOUILLE
3/4" (19,05mm) CLÉ
9/16" (14,22mm) DOUILLE
9/16" (14,22mm) CLÉ
CLÉ DYNAMOMÉTRIQUE



L'IMAGE CI-dessus NE MONTRE PAS LE SUPPORT INTÉRIEUR SUR LE TUBE EN TRAVERS POUR LA CLARTÉ - MONTRÉE À LA PAGE 18

1971-1993 Camionnette Dodge :

1. Insérez un boulon de 1/2" (12,7mm) avec une plaque de boulon vers le bas à travers le trou de 1" (25,4mm) de diamètre à l'extrémité du cadre. Faites ceci des deux côtés. Attachez les supports au cadre comme montré, en utilisant les rondelles conique et les écrous de 1/2" (12,7mm). Gardez les boulons assez desserrés pour pouvoir centrer les supports par rapport au cadre du véhicule.

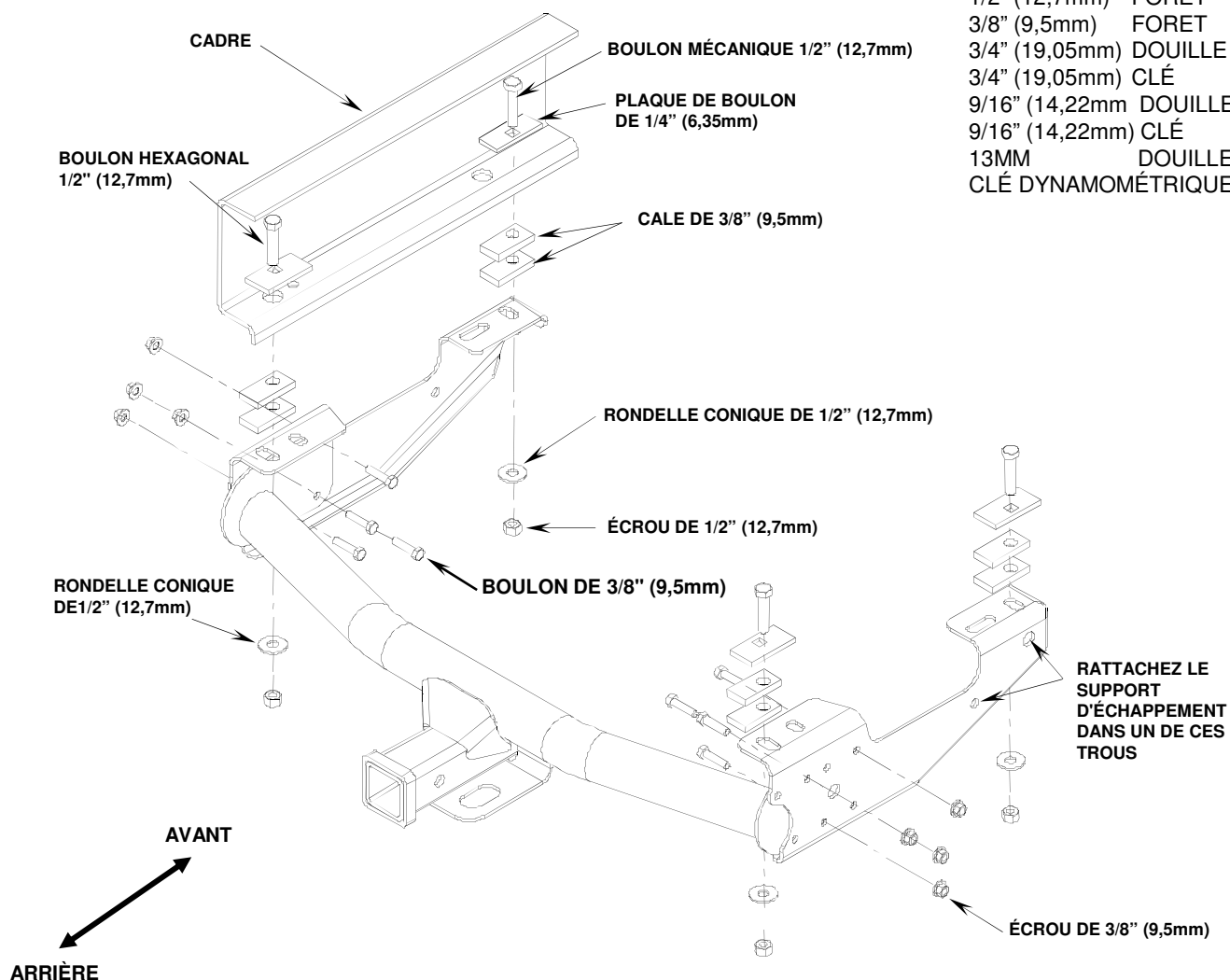
NOTE ; Sur quelques armatures spéciales tous les trous devront être forés comme suivi. Attachez lâchement les pièces comme remarquable dans l'étape 2. Maintenez l'accroc pour encadrer ainsi le premier et dernier trou dans la parenthèse peut être employé comme guides de foret de l'armature.

2. Installez la section centrale entre les supports comme montré, en insérant les boulons de 3/8" (9,5mm) à travers la section centrale et les supports. Installez les rondelles de blocage et les écrous de 3/8" (9,5mm). Utilisez les trous indiqués. Serrez légèrement à la main. Certains porteurs de pneu de rechange peuvent avoir besoin d'être modifiés si l'attelage contacte le porteur. **NOTE :** utilisez quatre trous pour boulonner chaque support à la section centrale.
3. En utilisant le trou du support comme guide, percez un trou de 1/2" (12,7mm) à travers le cadre. Utilisez le trou le plus vers l'avant. Faites ceci des deux côtés.
4. Insérez les boulons de 1/2" (12,7mm) avec les plaques de boulon de 1/4" (6,35mm) vers le bas à travers le cadre et les supports. Installez les rondelles conique et les écrous de 1/2" (12,7mm) aux boulons.
5. Serrez les écrous dans l'ordre suivant :
Premièrement serrez les écrous de 3/8" (9,5mm) au couple de 35 pi·lb (47,5 N·m).
Ensuite, serrez les écrous de 1/2" (12,7mm) au couple de 70 pi·lb (95 N·m).

REMARQUE : LES SUPPORTS LATÉRAUX FLÉCHISSENT AU SERRAGE

OUTILS REQUIS

1/2" (12,7mm) FORET
 3/8" (9,5mm) FORET
 3/4" (19,05mm) DOUILLE
 3/4" (19,05mm) CLÉ
 9/16" (14,22mm) DOUILLE
 9/16" (14,22mm) CLÉ
 13MM DOUILLE
 CLÉ DYNAMOMÉTRIQUE



L'IMAGE CI-dessus NE MONTRE PAS LE SUPPORT INTÉRIEUR SUR LE TUBE EN TRAVERS POUR LA CLARTÉ - MONTRÉE À LA PAGE 18

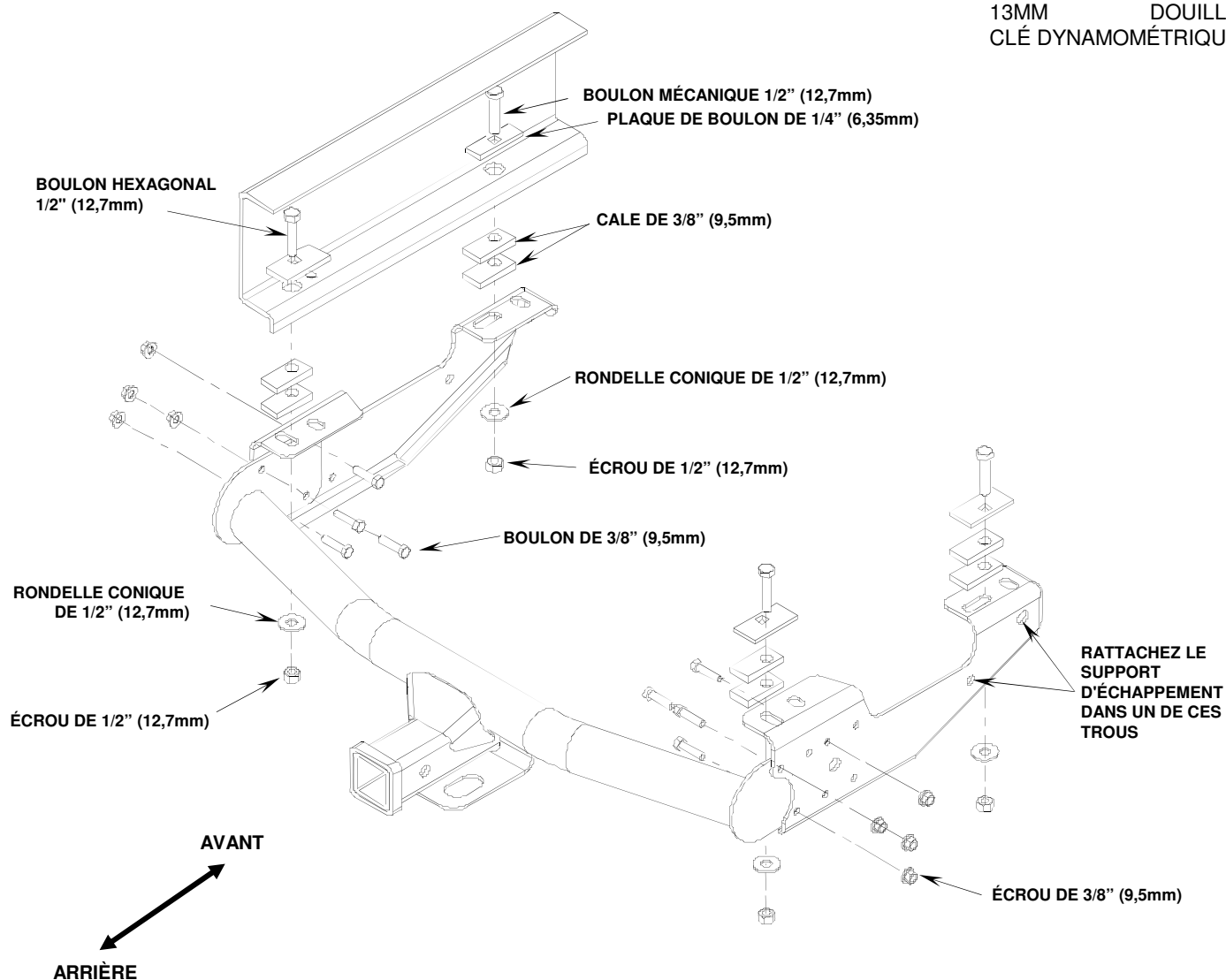
1994-2001 Camionnette Dodge à caisse courte :

2002 Camionnette Dodge à caisse courte 2500 & 3500:

1. Il peut être nécessaire de desserrer le pneu de rechange pendant l'installation.
2. Attachez les supports au cadre comme montré en utilisant un boulon de 1/2" (12,7mm) et une plaque de boulon insérés à travers le trou de 1" (25,4mm) de diamètre à l'extrémité du cadre. Installez deux cales de 3/8" (9,5mm) d'épaisseur entre le cadre et les supports aux points de montage arrière. Installez les rondelles conique et les écrous de 1/2" (12,7mm) aux boulons. **NOTE** : sur certains modèles, il faut déboulonner le support de l'échappement du cadre.
3. Installez la section centrale entre les supports comme montré. Utilisez les trous qui donnent le meilleur positionnement pour votre véhicule. Insérez les boulons de 3/8" (9,5mm) à travers la section centrale et les supports. Installez les rondelles de blocage et les écrous de 3/8" (9,5mm) aux boulons. Serrez légèrement à la main. **NOTE** : utilisez quatre trous pour boulonner chaque support à la section centrale.
4. En utilisant les trous des supports comme guide, percez des trous de 1/2" (12,7mm) au cadre. Utilisez les trous indiqués au diagramme. Installez les boulons de 1/2" (12,7mm) avec les plaques de boulon aux trous. Il faut insérer deux cales de 3/8" (9,5mm) d'épaisseur entre le cadre et les supports. Installez les rondelles conique et les écrous de 1/2" (12,7mm) aux boulons.
5. Si le support de l'échappement a été enlevé, percez un trou de 3/8" (9,5mm) dans le support et attachez-le au support d'attelage à un des trous du support. Utilisez la quincaillerie de 3/8" (9,5mm) pour rattacher le support de l'échappement.
6. Serrez les écrous dans l'ordre suivant :
 Premièrement serrez les écrous de 3/8" (9,5mm) au couple de 35 pi•lb (47,5 N•m).
 Ensuite, serrez les écrous de 1/2" (12,7mm) au couple de 70 pi•lb (95 N•m).
7. Si le pneu de rechange a été desserré, resserrez-le maintenant.

OUTILS REQUIS

3/8" (9,5mm) FORET
 3/4" (19,05mm) DOUILLE
 3/4" (19,05mm) CLÉ
 9/16" (14,22mm) DOUILLE
 9/16" (14,22mm) CLÉ
 13MM DOUILLE
 CLÉ DYNAMOMÉTRIQUE

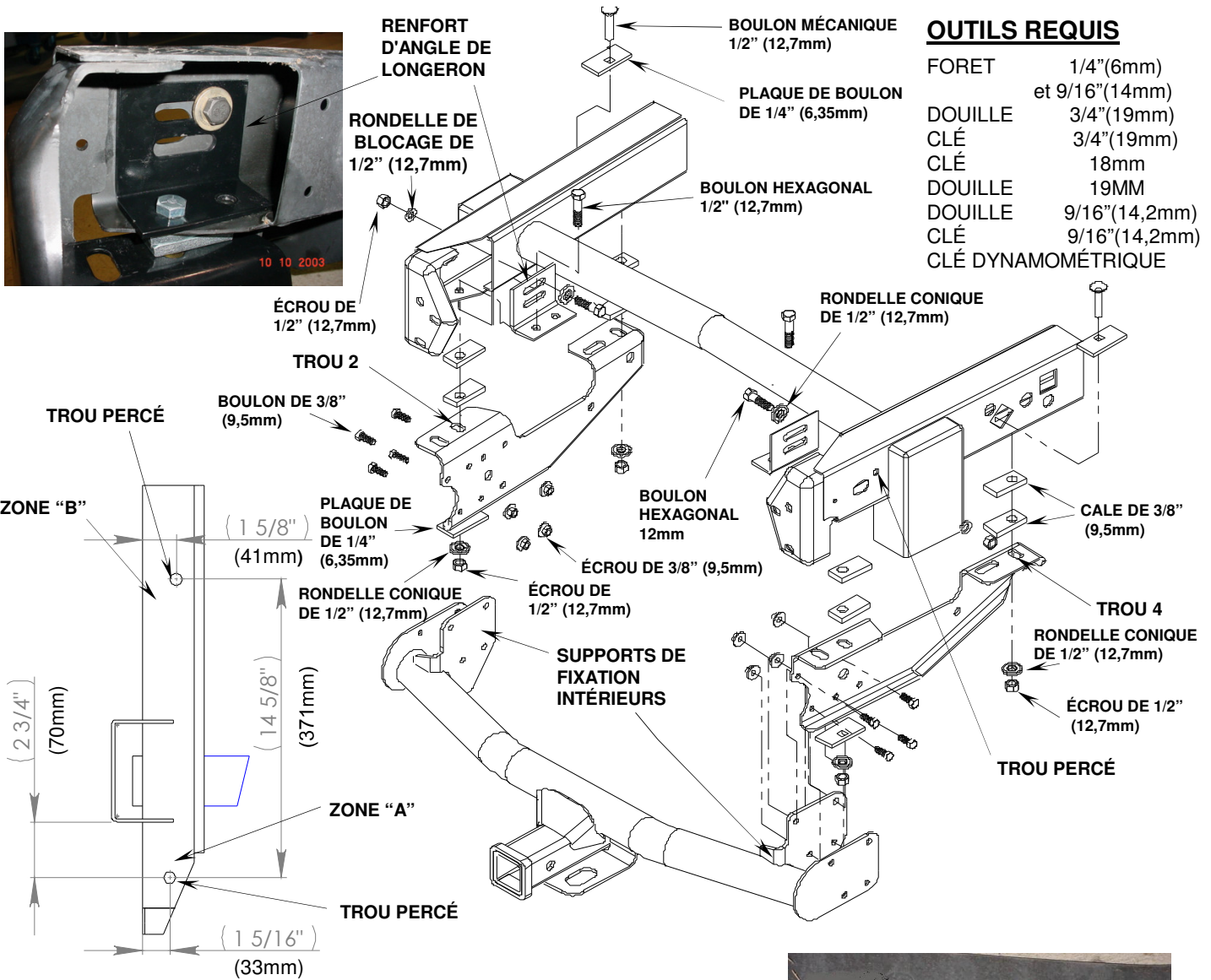


L'IMAGE CI-DESSUS NE MONTRE PAS LE SUPPORT INTÉRIEUR SUR LE TUBE EN TRAVERS POUR LA CLARTÉ - MONTRÉE À LA PAGE 18

1994-2001 Camionnette Dodge à caisse longue :

2002 Camionnette Dodge à caisse longue 2500 & 3500:

1. Il peut être nécessaire de desserrer le pneu de rechange pendant l'installation.
2. Attachez les supports au cadre comme montré en utilisant un boulon de 1/2" (12,7mm) et une plaque de boulon insérés à travers le trou de 1" (25,4mm) de diamètre à l'extrémité du cadre. Installez deux cales de 3/8" (9,5mm) d'épaisseur entre le cadre et les supports aux points de montage arrière. Installez les rondelles conique et les écrous de 1/2" (12,7mm) aux boulons. **NOTE** : sur certains modèles, il faut déboulonner le support de l'échappement du cadre.
3. Installez la section centrale entre les supports comme montré. Utilisez les trous qui donnent le meilleur positionnement pour votre véhicule. Insérez les boulons de 3/8" (9,5mm) à travers la section centrale et les supports. Installez les rondelles de blocage et les écrous de 3/8" (9,5mm) aux boulons. Serrez légèrement à la main. **NOTE** : utilisez quatre trous pour boulonner chaque support à la section centrale.
4. Insérez un boulon de 1/2" (12,7mm) avec une plaque de boulon de 1/4" (6,35mm) à travers le trou de 1" (25,4mm) au cadre et à travers le support comme montré. Insérez deux cales de 3/8" (9,5mm) d'épaisseur entre le cadre et le support. Installez une rondelle conique et un écrou de 1/2" (12,7mm) au boulon. Faites ceci des deux côtés.
5. Si le support de l'échappement a été enlevé, percez un trou de 3/8" (9,5mm) dans le support et attachez-le au support d'attelage à un des trous du support. Utilisez la quincaillerie de 3/8" (9,5mm) pour rattacher le support de l'échappement.
6. Serrez les écrous dans l'ordre suivant :
 Premièrement serrez les écrous de 3/8" (9,5mm) au couple de 35 pi·lb (47,5 N·m).
 Ensuite, serrez les écrous de 1/2" (12,7mm) au couple de 70 pi·lb (95 N·m).
7. Si le pneu de rechange a été desserré, resserrez-le maintenant.



OUTILS REQUIS

FORET	1/4"(6mm) et 9/16"(14mm)
DOUILLE	3/4"(19mm)
CLÉ	3/4"(19mm)
CLÉ	18mm
DOUILLE	19MM
DOUILLE	9/16"(14,2mm)
CLÉ	9/16"(14,2mm)
CLÉ DYNAMOMÉTRIQUE	

ARRIÈRE DU CADRE
(VUE DU BAS DU CADRE LATÉRAL CÔTÉ PASSAGER)

2004 - 05 FORD F-150 (NOUVEAU STYLE DE CARROSSERIE) SANS MOUILLEUR DE VIBRATION SUR L'ARMATURE

1. Abaisser la roue de secours pour faciliter l'installation.
2. Mettre du ruban à masquer au bas du cadre dans les zones "A" et "B". Faire la même chose pour l'autre côté.
3. Mesurer 1 5/16" (33mm) à partir de l'extérieur du cadre vers l'intérieur et faire une ligne de la longueur du cadre.
4. Mesurer 1 5/8" (41mm) à partir de l'extérieur du cadre vers l'intérieur et faire une ligne de la longueur du cadre.
5. Mesurer 2 3/4" (70mm) à partir de l'arrière de la jumelle de ressort et faire une marque. À partir de cette marque, mesurer 14 5/8" (37cm) vers l'avant et faire une marque.
6. Tenir le support latéral contre le bas du cadre. Vérifier à nouveau les trous 2 et 4 du support latéral pour les aligner correctement avec les marques. Si l'alignement n'est pas adéquat, ajuster la marque de la zone "B".
7. Donnez un coup de pointeau au centre et utiliser un foret pilote avec le foret 1/4". 4 trous au total (2 par rail de cadre).
8. Agrandir le trou de départ avec un foret 9/16" .
9. Installer, sans serrer, les supports latéraux tel qu'indiqué. Inclure le renfort d'angle à l'intérieur du cadre et des blocs en dessous du cadre.
10. Installer l'assemblage des traverses tubulaires entre les supports latéraux et les fixer avec (4) boulons 3/8" (10mm) de chaque côté.
11. Serrer les écrous 3/8" (10mm) des traverses tubulaires au couple 35 lb pi (47,5 Nm). Ensuite serrer les boulons de fixation du cadre 1/2" (13mm) au couple 70 lb pi (95 Nm).
12. Utiliser la fente supérieure du renfort d'angle de longeron placée à l'intérieur du cadre à l'étape 8. Percer un trou de 1/2" (13mm) sur le côté du cadre le plus en avant possible et aussi loin que la fente le permettra.
13. Installer les attaches M-12 à travers le cadre tel qu'indiqué et les serrer au couple 75 pi lb (101,7Nm) .
14. Soulever la roue de secours.



INSTRUCCIONES DE INSTALACIÓN ENGANCHE MULTI-COMPATIBLE PARA CAMIONETAS

Producto No.

37069

37133

PAQUETE DE PIEZAS
PEQUEÑAS 37536

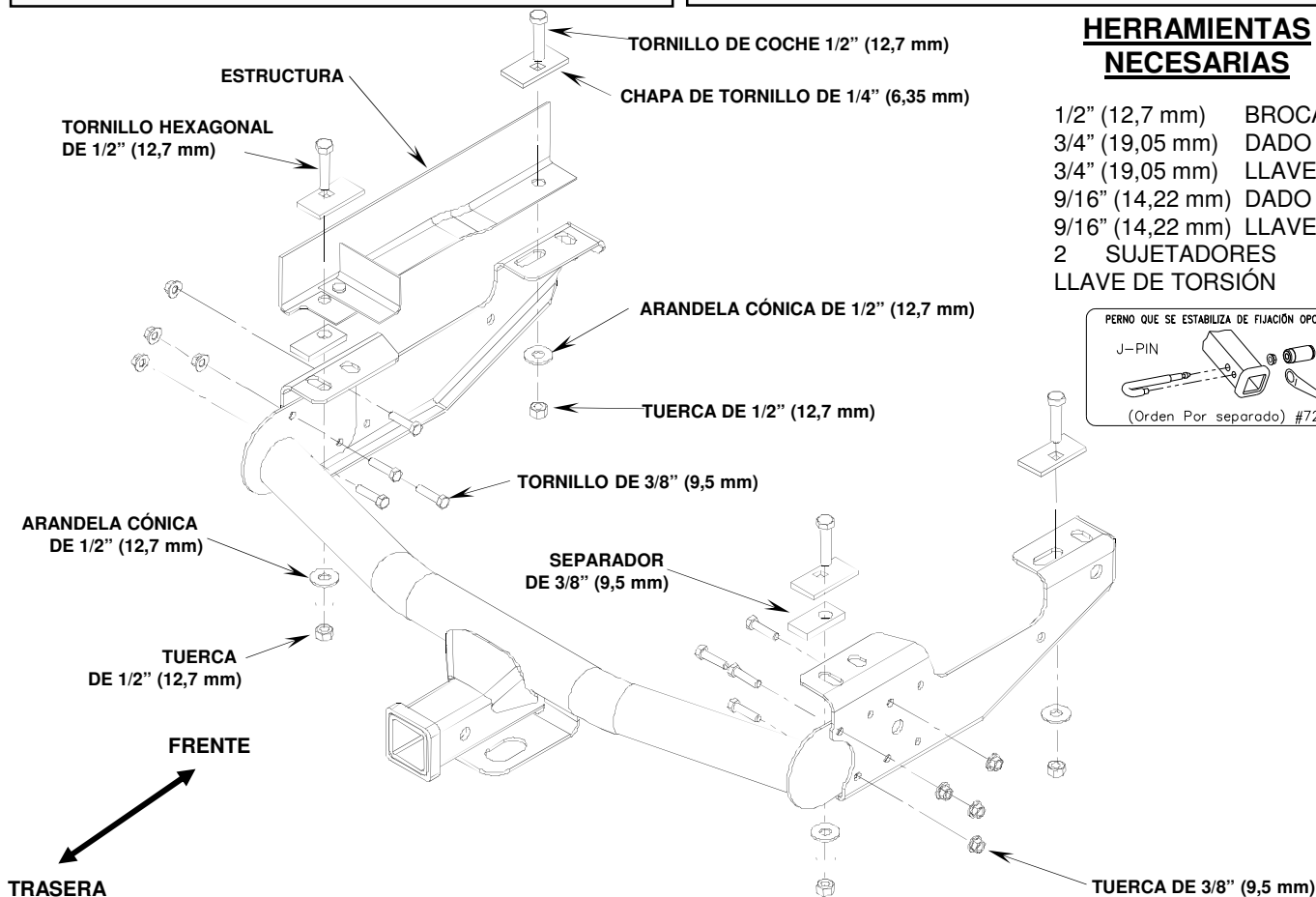
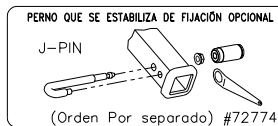
Cequent Products

ADVERTENCIA: No lubrique las roscas; los tornillos pueden romperse debido a una torsión excesiva.
ADVERTENCIA: No taladre ni suelde en este enganche.

NOTAS IMPORTANTES
Use solamente tornillos, contratuercas y arandelas suministrados o aprobados por REESE para instalar este enganche.

HERRAMIENTAS NECESARIAS

1/2" (12,7 mm) BROCA
3/4" (19,05 mm) DADO
3/4" (19,05 mm) LLAVE
9/16" (14,22 mm) DADO
9/16" (14,22 mm) LLAVE
2 SUJETADORES
LLAVE DE TORSIÓN



EL CUADRO ARRIBA NO DEMUESTRA EL SOPORTE DE MONTAJE INTERNO EN EL TUBO CRUZADO PARA LA CLARIDAD - DEMOSTRADA EN LA PÁGINA 27

1973-1996 Camioneta Ford de Tamaño Completo & 1997 F-250 Trabajo Pesado / F-350 Trabajo Pesado

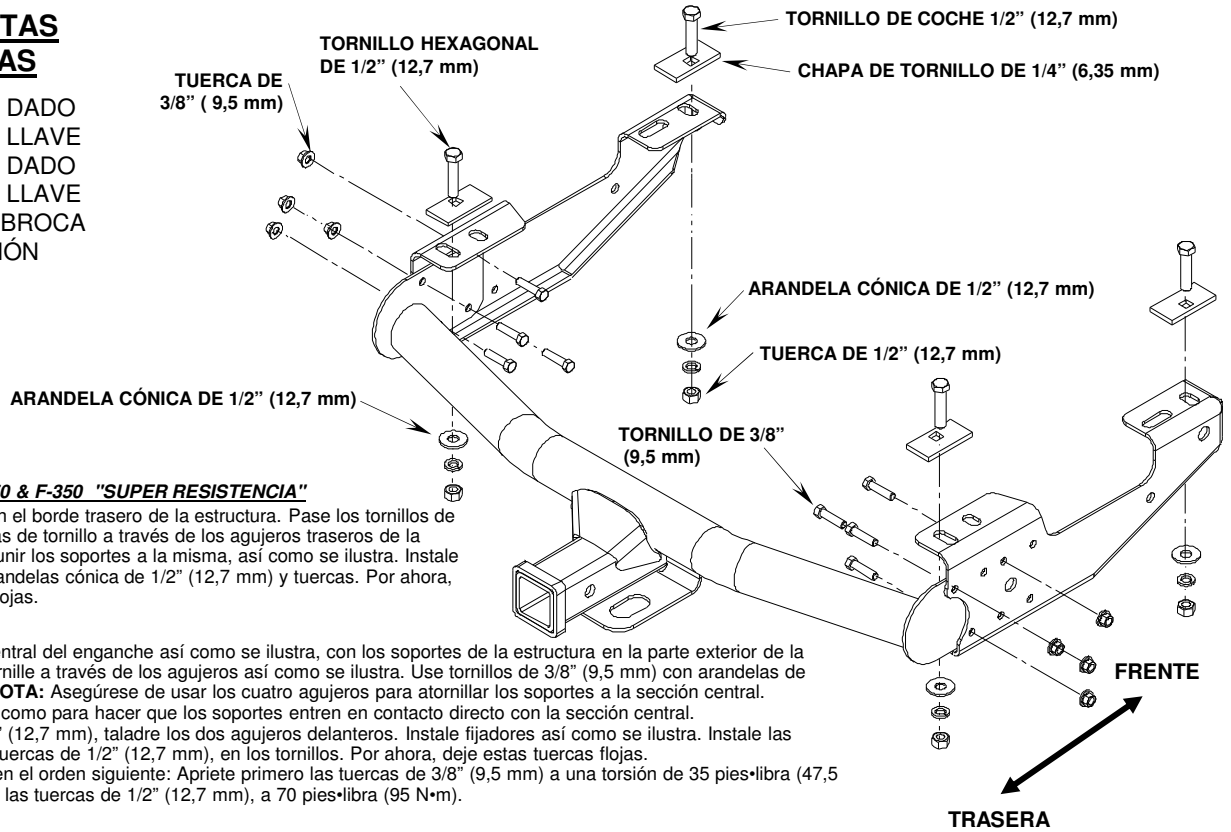
1. En el suelo, ensamble las tres piezas del enganche antes de unir las a la camioneta. Use los tornillos de 3/8" (9,5 mm), las arandelas de presión y las tuercas para atornillar los soportes a la sección central, así como se ilustra. Coloque los soportes en la parte exterior de la sección central. Atornille a través de los agujeros que se muestran en la ilustración. Deje los tornillos lo suficientemente sueltos para centrar los soportes en el marco de la camioneta. **NOTA:** Asegúrese de usar los cuatro agujeros para atornillar cada soporte a la sección central.
2. Usando un sujetador, una el enganche a la estructura, coloque un separador de 3/8" (9,5 mm) de grosor en la parte trasera, entre el enganche y la estructura. Alinee las terminaciones de los soportes con la terminación de la estructura, así como se ilustra.
3. Usando los agujeros del soporte como guía, taladre agujeros de 1/2" (12,7 mm), en la estructura, en las localidades que se muestran.
4. Inserte tornillos de 1/2" (12,7 mm), junto con chapas de tornillo a través de la estructura y del soporte. Coloque un separador grueso de 3/8" (9,5 mm), entre la estructura y el soporte en el agujero de montaje trasero. Instale las arandelas cónica y las tuercas en los tornillos.
5. Apriete las tuercas en el orden siguiente: Apriete primero las tuercas de 3/8" (9,5 mm), a 35 lb•pie (47,4 N•m). Luego apriete las tuercas de 1/2" (12,7 mm), a 70 lb•pie (94,8 N•m).

NOTA: LOS SOPORTES LATERALES SE DESVIARAN AL APRETARLOS

Para solicitar ayuda en la instalación o ayuda técnica, visite nuestro sitio web en:
www.cequentgroup.com o llame gratis al **1-800-234-6992**

HERRAMIENTAS NECESARIAS

3/4" (19,05 mm) DADO
 3/4" (19,05 mm) LLAVE
 9/16" (14,22 mm) DADO
 9/16" (14,22 mm) LLAVE
 1/2" (12,7 mm) BROCA
 LLAVE DE TORSIÓN



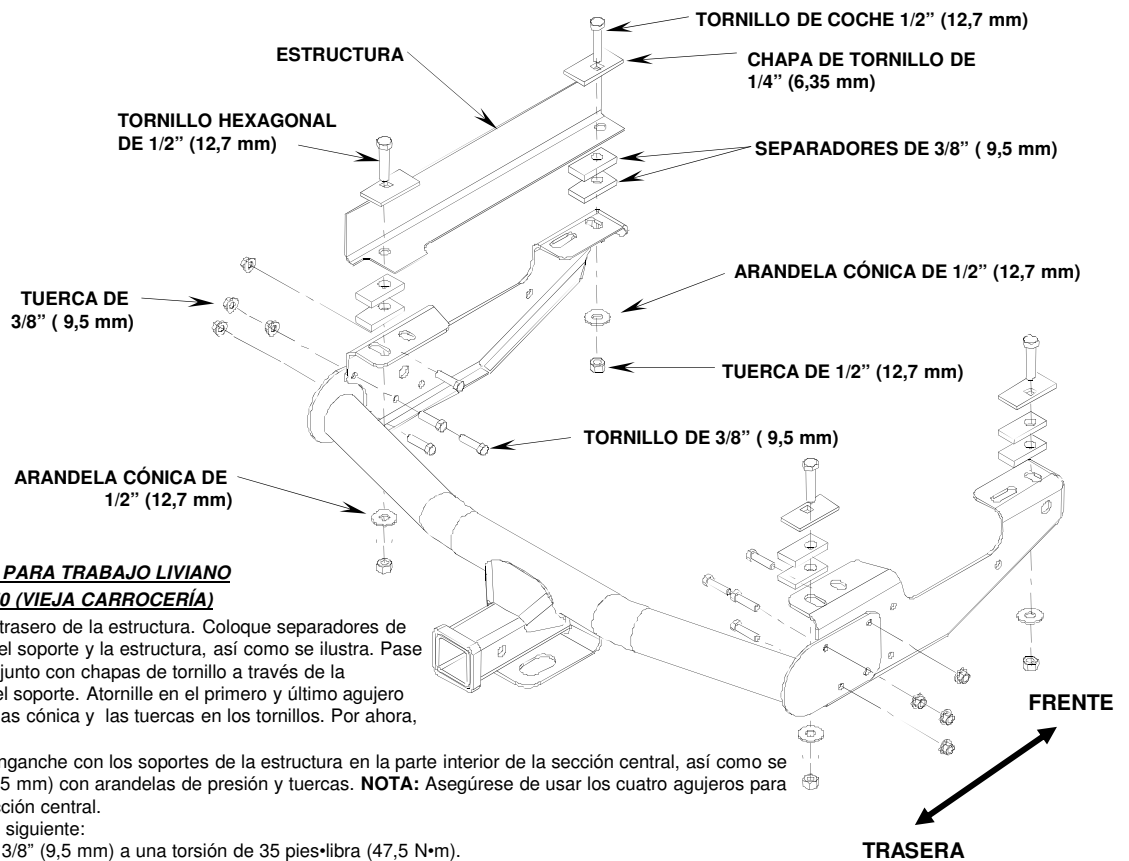
1998-2004 FORD F-250 & F-350 "SUPER RESISTENCIA"

1. Alinee el soporte con el borde trasero de la estructura. Pase los tornillos de 1/2" (12,7 mm) junto con chapas de tornillo a través de los agujeros traseros de la estructura para así unir los soportes a la misma, así como se ilustra. Instale en estos tornillos arandelas cónica de 1/2" (12,7 mm) y tuercas. Por ahora, deje éstas tuercas flojas.
2. Instale la sección central del enganche así como se ilustra, con los soportes de la estructura en la parte exterior de la sección central. Atornille a través de los agujeros así como se ilustra. Use tornillos de 3/8" (9,5 mm) con arandelas de presión y tuercas. **NOTA:** Asegúrese de usar los cuatro agujeros para atornillar los soportes a la sección central. Apriete lo suficiente como para hacer que los soportes entren en contacto directo con la sección central.
3. Con la broca de 1/2" (12,7 mm), taladre los dos agujeros delanteros. Instale fijadores así como se ilustra. Instale las arandelas cónica y tuercas de 1/2" (12,7 mm), en los tornillos. Por ahora, deje estas tuercas flojas.
4. Apriete las tuercas en el orden siguiente: Apriete primero las tuercas de 3/8" (9,5 mm) a una torsión de 35 pies•libra (47,5 N•m). Luego apriete las tuercas de 1/2" (12,7 mm), a 70 pies•libra (95 N•m).

EL CUADRO ARRIBA NO DEMUESTRA EL SOPORTE DE MONTAJE INTERNO EN EL TUBO CRUZADO PARA LA CLARIDAD - DEMOSTRADA EN LA PÁGINA 27

HERRAMIENTAS NECESARIAS

3/4" (19,05 mm) DADO
 3/4" (19,05 mm) LLAVE
 9/16" (14,22 mm) DADO
 9/16" (14,22 mm) LLAVE
 LLAVE DE TORSIÓN



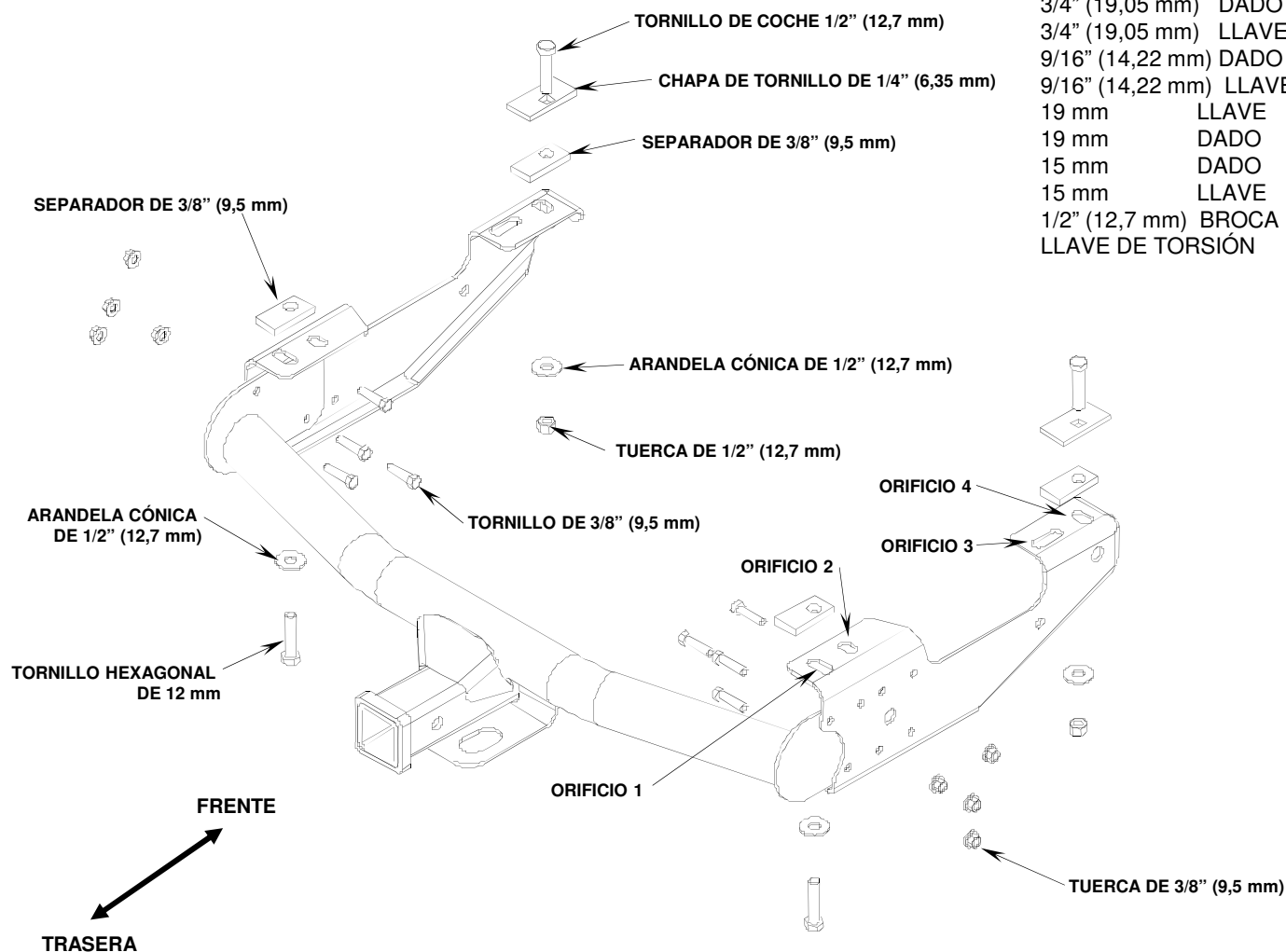
1997-2003 FORD F-150 & F-250 PARA TRABAJO LIVIANO HERENCIA 2004 DE FORD F-150 (VIEJA CARROCERÍA)

1. Alinee el soporte con el borde trasero de la estructura. Coloque separadores de 3/8" (9,5 mm) de grosor entre el soporte y la estructura, así como se ilustra. Pase los tornillos de 1/2" (12,7 mm) junto con chapas de tornillo a través de la estructura, los separadores y el soporte. Atornille en el primero y último agujero del soporte. Instale las arandelas cónica y las tuercas en los tornillos. Por ahora, deje estas tuercas flojas.
2. Instale la sección central del enganche con los soportes de la estructura en la parte interior de la sección central, así como se ilustra. Use tornillos de 3/8" (9,5 mm) con arandelas de presión y tuercas. **NOTA:** Asegúrese de usar los cuatro agujeros para atornillar cada soporte a la sección central.
3. Apriete las tuercas en el orden siguiente:
 Apriete primero las tuercas de 3/8" (9,5 mm) a una torsión de 35 pies•libra (47,5 N•m).
 Luego apriete las tuercas de 1/2" (12,7 mm) a 70 pies•libra (95 N•m).

EL CUADRO ARRIBA NO DEMUESTRA EL SOPORTE DE MONTAJE INTERNO EN EL TUBO CRUZADO PARA LA CLARIDAD - DEMOSTRADA EN LA PÁGINA 27

HERRAMIENTAS NECESARIAS

3/4" (19,05 mm) DADO
 3/4" (19,05 mm) LLAVE
 9/16" (14,22 mm) DADO
 9/16" (14,22 mm) LLAVE
 19 mm LLAVE
 19 mm DADO
 15 mm DADO
 15 mm LLAVE
 1/2" (12,7 mm) BROCA
 LLAVE DE TORSIÓN



EL CUADRO ARRIBA NO DEMUESTRA EL SOPORTE DE MONTAJE INTERNO EN EL TUBO CRUZADO PARA LA CLARIDAD - DEMOSTRADA EN LA PÁGINA 27

1988-2000 CHEVY & GMC (CLÁSICO)

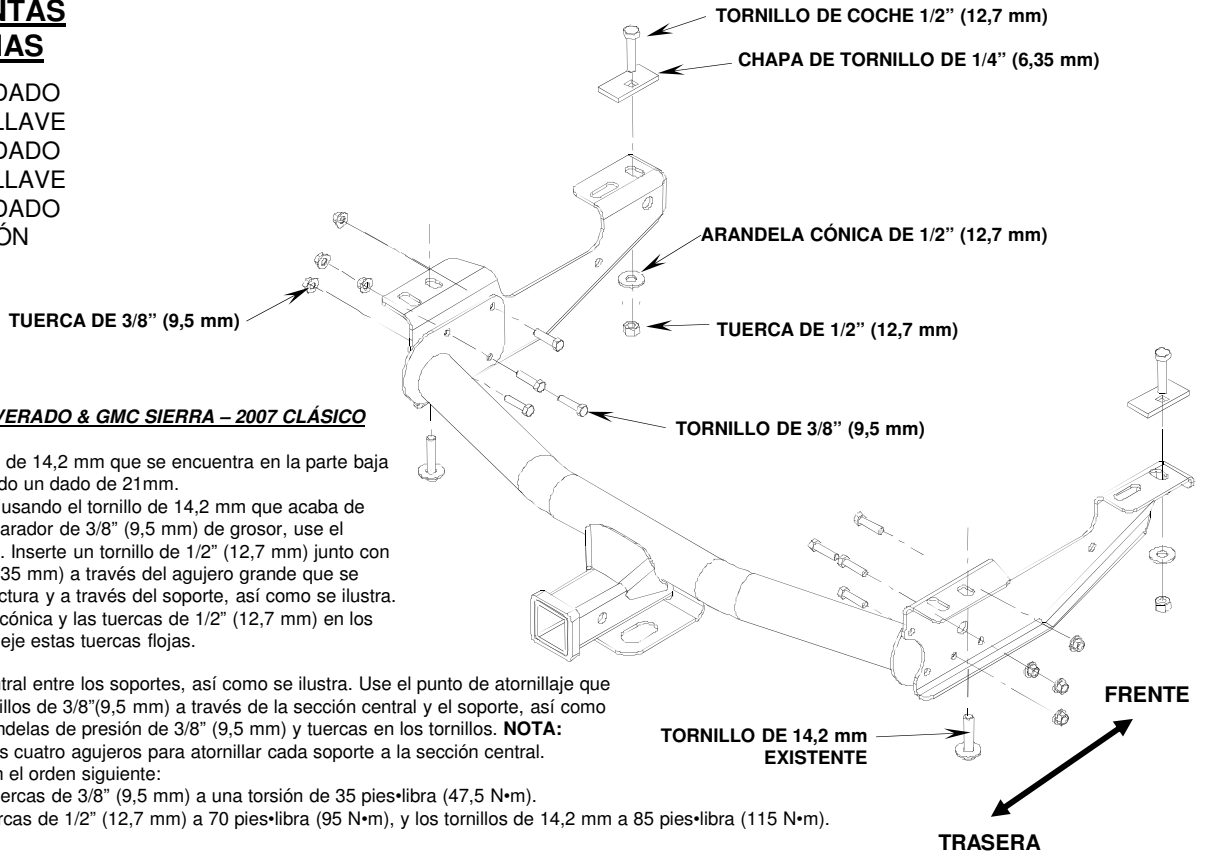
- Desatornille los tornillos de 12 mm de diámetro que se encuentran al final de la estructura. Algunos vehículos tienen un tornillo de 8 mm de diámetro en el lado del pasajero. Desatornille este tornillo e instálelo al revés, con la cabeza en la parte inferior de la estructura.
- Si su vehículo tiene remaches en la parte baja de la estructura, usted tendrá que instalar un separador de 3/8" (9,5 mm) de grosor entre la estructura y el soporte en cada localidad donde haya que instalar un tornillo. Éstos son necesarios para crear un espacio libre entre el soporte y la cabeza del remache. El soporte no debe ser atornillado directamente contra de los remaches.
- Usando el tornillo de 12 mm de diámetro que se suple y la arandela cónica de 1/2" (12,7 mm), fije el soporte a la estructura en el lugar donde el tornillo de 12 mm de diámetro (del fabricante) fue desatornillado. Vea la ilustración. Para cabina corta, use agujero 2. Para cabina larga, use agujero 1. **NOTA: ALGUNOS SISTEMAS DE ESCAPE DE TUBO DOBLE ENTRARÁN EN CONTACTO CON EL SOPORTE. EN ESTOS CASOS EL SISTEMA DE ESCAPE TENDRÁ QUE SER MODIFICADO.**
- (Cabina Corta): Inserte los tornillos de 1/2" (12,7 mm) junto con chapas de tornillo a través de los agujeros de 1" (25,4 mm) de diámetro que se encuentra en la estructura y a través de los agujeros (4) del soporte. Instale una arandela plana, arandela de presión, y tuerca de 1/2" (12,7 mm) en cada tornillo. Por ahora, deje estas tuercas flojas.
- (Cabina Larga): Inserte los tornillos de 1/2" (12,7 mm) junto con chapas de tornillo a través de los agujeros de 1" (25,4 mm) de diámetro que se encuentra en la estructura y a través de los agujeros (3) del soporte. (En algunos modelos, el agujero delantero puede ser de 1/2" (12,7mm)). Instale una arandela cónica y tuerca de 1/2" (12,7 mm) en cada tornillo. Por ahora, deje estas tuercas flojas.
- Coloque la sección central entre los soportes, así como se ilustra. Es posible que sea necesario aflojar la llanta de repuesto. Atornille a través de la sección central y el soporte usando tornillos de 3/8" (9,5 mm), arandelas de presión y tuercas. **NOTA: Asegúrese de usar los cuatro agujeros para atornillar los soportes a la sección central.**
- Apriete las tuercas en el orden siguiente:
 Apriete primero las tuercas de 3/8" (9,5 mm) a una torsión de 35 pies•libra (47,5 N•m).
 Luego apriete las tuercas de 1/2" (12,7 mm) a 70 pies•libra (95 N•m), y los tornillos de 12 mm a 75 pies•libra (102 N•m).
- Apriete nuevamente la llanta de repuesto, si fue aflojada.
- Asegúrese de que la llanta de repuesto no esté rozando con la manguera de freno. Si es necesario, doble un poquito el soporte en el cual la manguera está instalada para así crear un espacio libre entre la llanta y la manguera de freno.

HERRAMIENTAS NECESARIAS

3/4" (19,05 mm) DADO
 3/4" (19,05 mm) LLAVE
 9/16" (14,22 mm) DADO
 9/16" (14,22 mm) LLAVE
 21 mm DADO
 LLAVE DE TORSIÓN

1999-2006 CHEVY SILVERADO & GMC SIERRA – 2007 CLÁSICO (CABINA CORTA):

- Desatornille el tornillo de 14,2 mm que se encuentra en la parte baja de la estructura usando un dado de 21mm.
- Atornille los soportes usando el tornillo de 14,2 mm que acaba de desatornillar y un separador de 3/8" (9,5 mm) de grosor, use el agujero que se indica. Inserte un tornillo de 1/2" (12,7 mm) junto con una chapa de 1/4" (6,35 mm) a través del agujero grande que se encuentra en la estructura y a través del soporte, así como se ilustra. Instale las arandelas cónica y las tuercas de 1/2" (12,7 mm) en los tornillos. Por ahora, deje estas tuercas flojas.
- Instale la sección central entre los soportes, así como se ilustra. Use el punto de atornillaje que se indica. Instale tornillos de 3/8" (9,5 mm) a través de la sección central y el soporte, así como se ilustra. Instale arandelas de presión de 3/8" (9,5 mm) y tuercas en los tornillos. **NOTA:** Asegúrese de usar los cuatro agujeros para atornillar cada soporte a la sección central.
- Apriete las tuercas en el orden siguiente:
 Apriete primero las tuercas de 3/8" (9,5 mm) a una torsión de 35 pies•libra (47,5 N•m).
 Luego apriete las tuercas de 1/2" (12,7 mm) a 70 pies•libra (95 N•m), y los tornillos de 14,2 mm a 85 pies•libra (115 N•m).



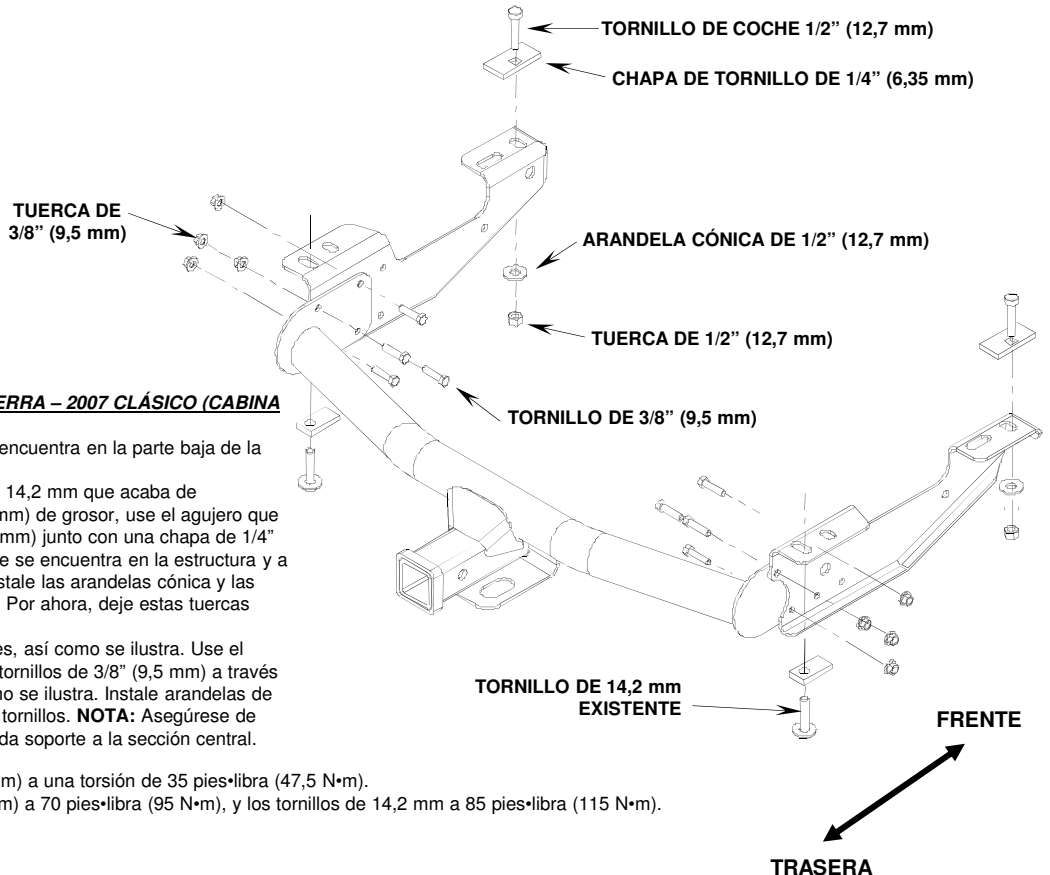
EL CUADRO ARRIBA NO DEMUESTRA EL SOPORTE DE MONTAJE INTERNO EN EL TUBO CRUZADO PARA LA CLARIDAD - DEMOSTRADA EN LA PÁGINA 27

HERRAMIENTAS NECESARIAS

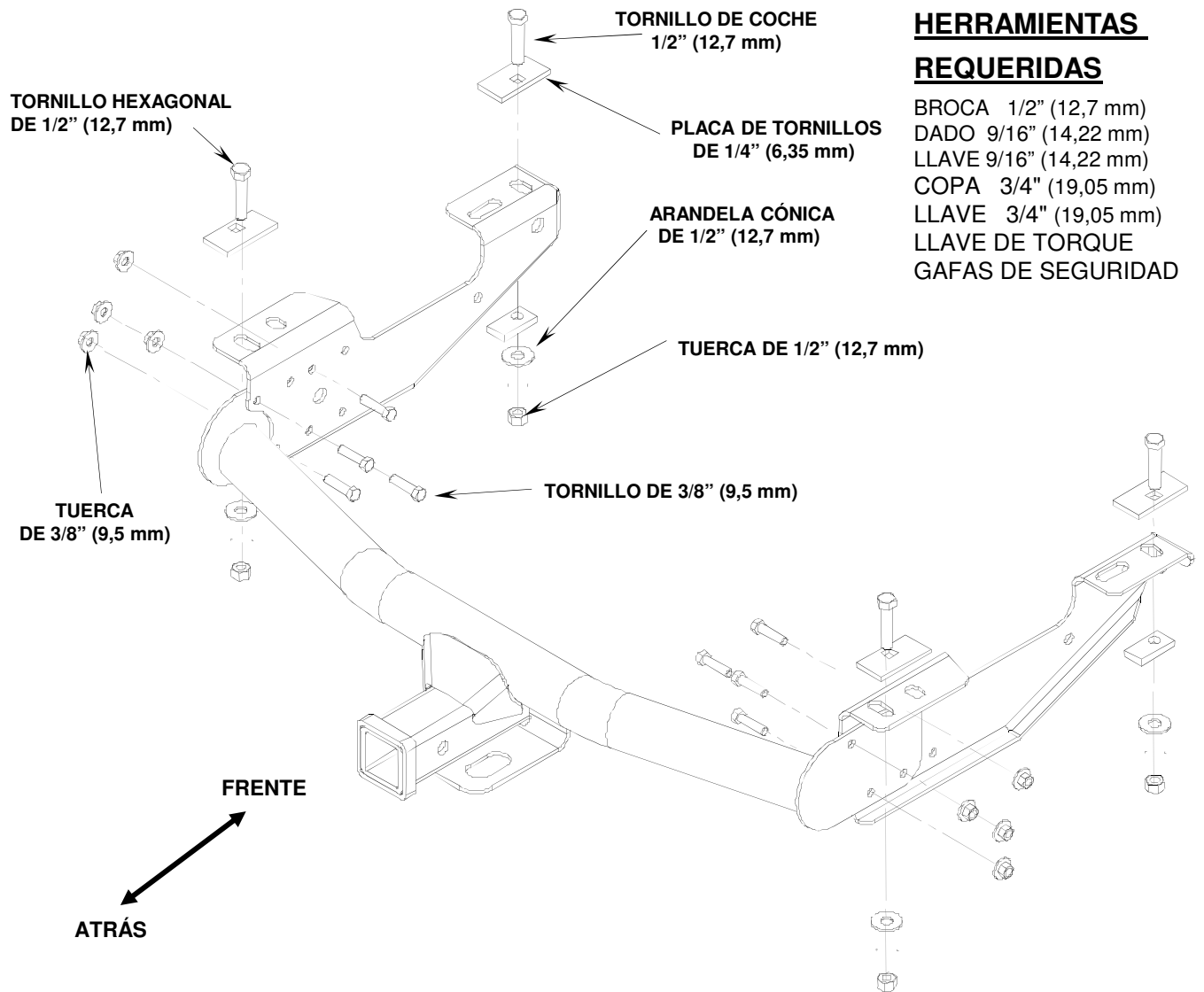
3/4" (19,05 mm) DADO
 3/4" (19,05 mm) LLAVE
 9/16" (14,22 mm) DADO
 9/16" (14,22 mm) LLAVE
 21 mm DADO
 LLAVE DE TORSIÓN

1999-2006 CHEVY SILVERADO Y GMC SIERRA – 2007 CLÁSICO (CABINA LARGA):

- Desatornille el tornillo de 14,2mm que se encuentra en la parte baja de la estructura usando un dado de 21mm.
- Atornille los soportes usando el tornillo de 14,2 mm que acaba de desatornillar y un separador de 3/8" (9,5 mm) de grosor, use el agujero que se indica. Inserte un tornillo de 1/2" (12,7 mm) junto con una chapa de 1/4" (6,35 mm) a través del agujero grande que se encuentra en la estructura y a través del soporte, así como se ilustra. Instale las arandelas cónica y las tuercas de 1/2" (12,7 mm) en los tornillos. Por ahora, deje estas tuercas flojas.
- Instale la sección central entre los soportes, así como se ilustra. Use el punto de atornillaje que se indica. Instale tornillos de 3/8" (9,5 mm) a través de la sección central y el soporte, así como se ilustra. Instale arandelas de presión de 3/8" (9,5 mm) y tuercas en los tornillos. **NOTA:** Asegúrese de usar los cuatro agujeros para atornillar cada soporte a la sección central.
- Apriete las tuercas en el orden siguiente:
 Apriete primero las tuercas de 3/8" (9,5 mm) a una torsión de 35 pies•libra (47,5 N•m).
 Luego apriete las tuercas de 1/2" (12,7 mm) a 70 pies•libra (95 N•m), y los tornillos de 14,2 mm a 85 pies•libra (115 N•m).



EL CUADRO ARRIBA NO DEMUESTRA EL SOPORTE DE MONTAJE INTERNO EN EL TUBO CRUZADO PARA LA CLARIDAD - DEMOSTRADA EN LA PÁGINA 27



HERRAMIENTAS

REQUERIDAS

BROCA 1/2" (12,7 mm)
 DADO 9/16" (14,22 mm)
 LLAVE 9/16" (14,22 mm)
 COPA 3/4" (19,05 mm)
 LLAVE 3/4" (19,05 mm)
 LLAVE DE TORQUE
 GAFAS DE SEGURIDAD

EL CUADRO ARRIBA NO DEMUESTRA EL SOPORTE DE MONTAJE INTERNO EN EL TUBO CRUZADO PARA LA CLARIDAD - DEMOSTRADA EN LA PÁGINA 27

TOYOTA TUNDRA 2000-2006 :

1. Use el agujero existente en el extremo posterior del marco e instale los tornillos de 1/2" (12,7 mm) a través de las placas de tornillos hasta el marco. Con la arandela de la de cónica de 1/2" (12,7 mm) y la tuerca de 1/2" (12,7 mm) atornille los soportes al marco. Deje los tornillos lo suficientemente sueltos para centrar el soporte en el marco de la camioneta. No instale sujetadores en el agujero frontal de los soportes en este momento.
2. Instale la sección central a los soportes como se muestra. Use los puntos indicados para los tornillos. Instale tornillos de 3/8" (9,5 mm) a través de la sección central y los soportes como se muestra. Instale tuercas de 3/8" (9,5 mm) en los tornillos.
3. Utilizando los agujeros delanteros en los soportes como guía, taladre un agujero de 1/2" (12,7 mm) e instale los tornillos de 1/2" (12,7 mm) con las placas de tornillos de 1/4" (6,35 mm) a través del marco y los soportes. Instale el arandela cónica y las tuercas de 1/2" (12,7 mm).

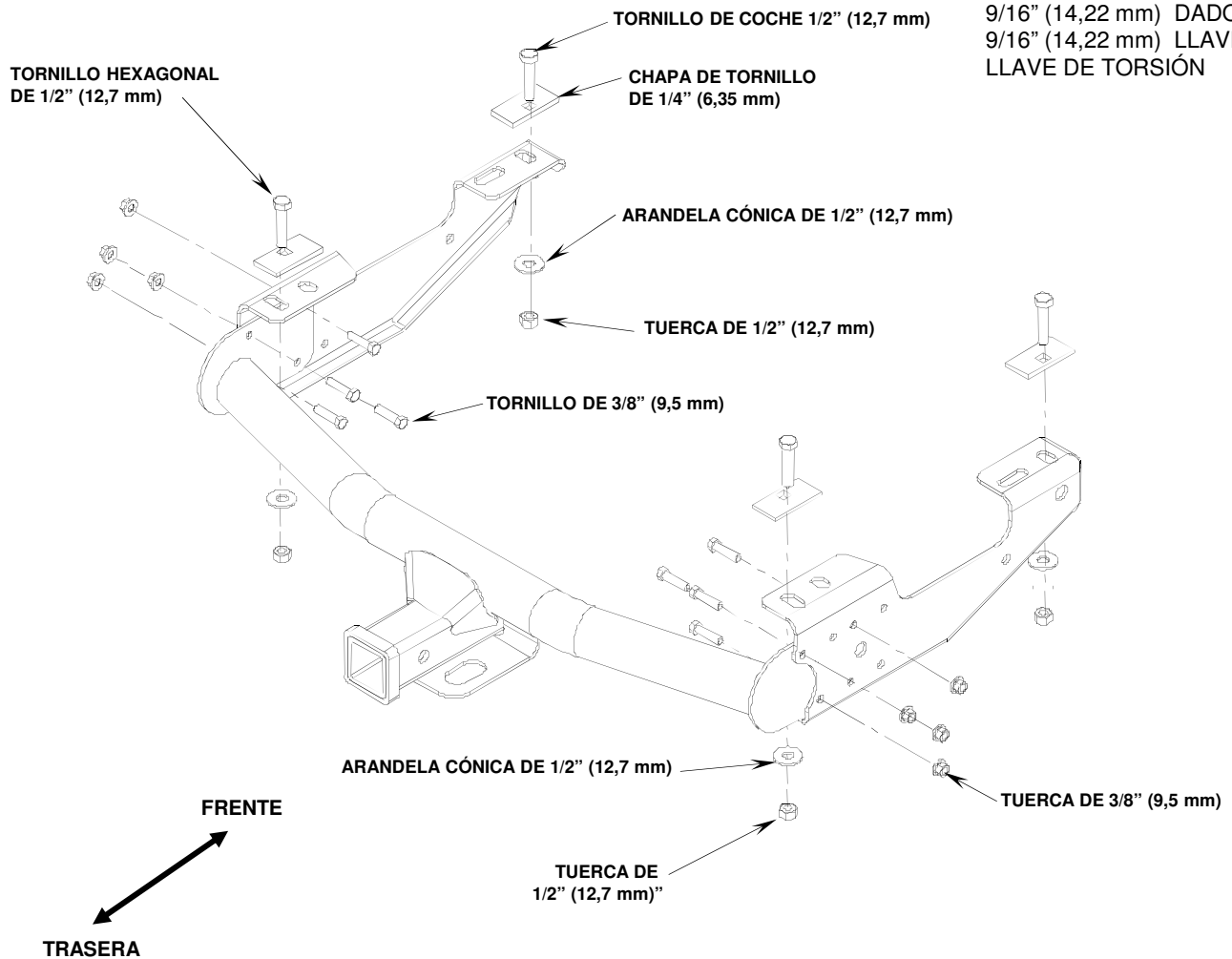
NOTA: Asegúrese de usar cuatro agujeros para atornillar los soportes a la sección central.

4. Apriete las tuercas en el siguiente orden:
 Primero apriete las tuercas de 3/8" (9,5 mm) a 35 pies•libra (47,5 N•m) de torque.
 Luego apriete las tuercas de 1/2" (12,7 mm) a 70 pies•libra (95 N•m) de torque.

NOTA: LOS SOPORTES LATERALES SE DESVIARAN AL APRETARLOS

HERRAMIENTAS NECESARIAS

3/4" (19,05 mm) DADO
3/4" (19,05 mm) LLAVE
9/16" (14,22 mm) DADO
9/16" (14,22 mm) LLAVE
LLAVE DE TORSIÓN



EL CUADRO ARRIBA NO DEMUESTRA EL SOPORTE DE MONTAJE INTERNO EN EL TUBO CRUZADO PARA LA CLARIDAD - DEMOSTRADA EN LA PÁGINA 27

1971-1993 Dodge Camioneta :

1. Inserte un tornillo de 1/2" (12,7 mm) junto con una chapa de tornillo de 1/4" (6,35 mm) a través del agujero de 1" (25,4 mm) de diámetro que se encuentra al final de la estructura. Haga esto en ambos lados. Fije los soportes a la estructura así como se ilustra, use arandelas cónica de 1/2" (12,7 mm) y tuercas. Deje los tornillos lo suficientemente sueltos para centrar el soporte en el marco de la camioneta.

NOTA; En algunos marcos especiales todos los agujeros tendrán que ser perforados según lo seguido. Una libremente las piezas según lo observado en el paso 2. Afiance el tirón con abrazadera para enmarcar así que el primer y pasado agujero en soporte puede ser utilizado como guías del taladro al marco.

2. Instale la sección central entre los soportes, así como se ilustra. Atornille a través de la sección central y los soportes usando tornillos de 3/8" (9,5 mm), arandelas de presión y tuercas. Use los agujeros que se indican. Por ahora, apriete estas tuercas solo con la mano. Es probable que sea necesario modificar algunos porta-llanta de repuesto si el enganche entra en contacto con el porta-llanta. **NOTA:** Asegúrese de usar los cuatro agujeros para atornillar los soportes a la sección central.

3. Usando el agujero del soporte como guía, taladre un agujero de 1/2" (12,7 mm) de diámetro a través de la estructura. Use el agujero que se encuentra más hacia el frente del vehículo. Haga esto en ambos lados.

4. Inserte tornillos de 1/2" (12,7 mm) junto con chapas de tornillo de 1/4" (6,35 mm) a través de la estructura y el soporte. Instale las arandelas cónica y las tuercas de 1/2" (12,7 mm) en los tornillos.

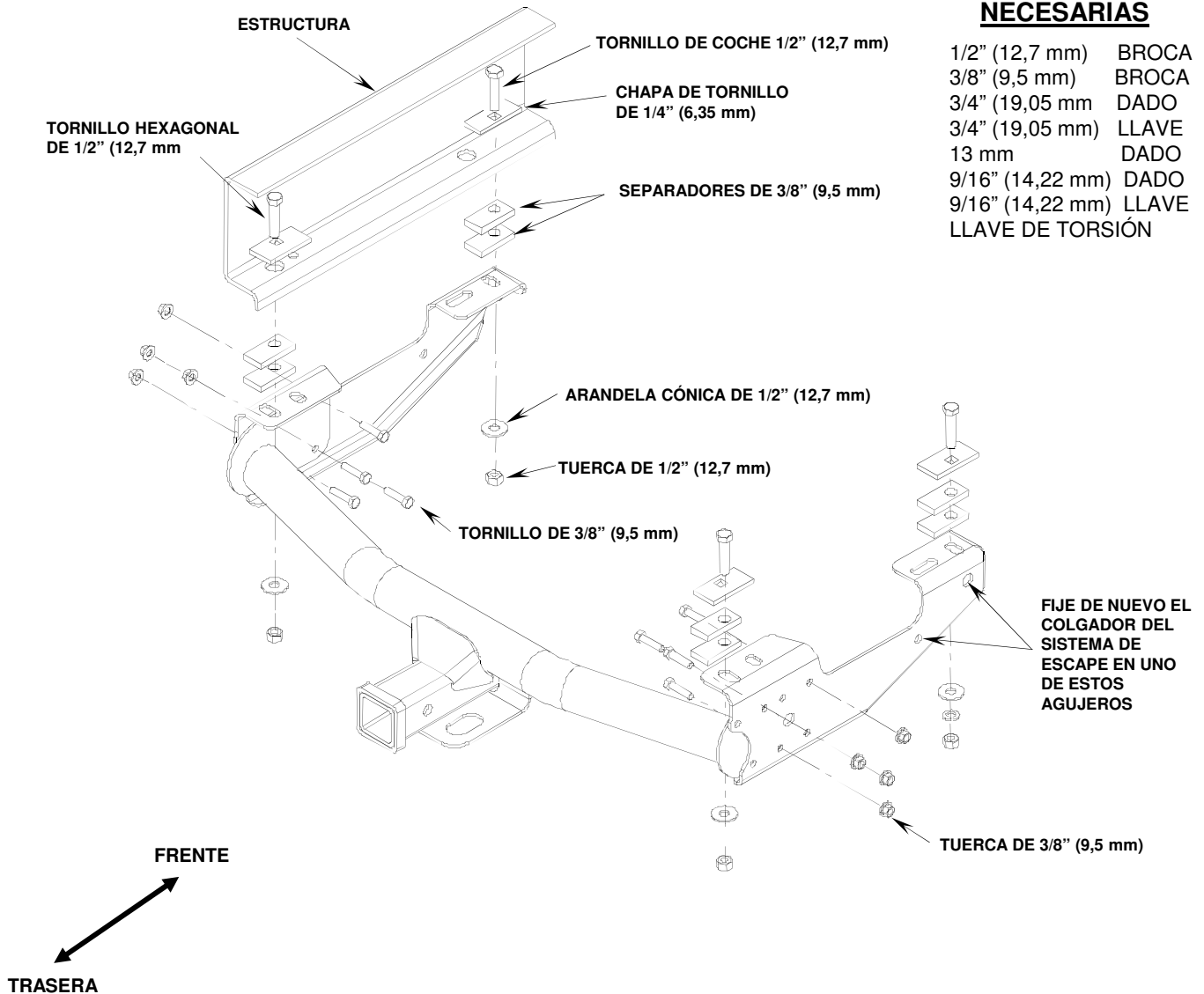
5. Apriete las tuercas en el orden siguiente:

Apriete primero las tuercas de 3/8" (9,5 mm) a una torsión de 35 pies•libra (47,5 N•m).
Luego apriete las tuercas de 1/2" (12,7 mm) a una torsión de 70 pies•libra (95 N•m).

NOTA: LOS SOPORTES LATERALES SE COMBARÁN AL APRETARLOS

HERRAMIENTAS NECESARIAS

1/2" (12,7 mm)	BROCA
3/8" (9,5 mm)	BROCA
3/4" (19,05 mm)	DADO
3/4" (19,05 mm)	LLAVE
13 mm	DADO
9/16" (14,22 mm)	DADO
9/16" (14,22 mm)	LLAVE
	LLAVE DE TORSIÓN



EL CUADRO ARRIBA NO DEMUESTRA EL SOPORTE DE MONTAJE INTERNO EN EL TUBO CRUZADO PARA LA CLARIDAD - DEMOSTRADA EN LA PÁGINA 27

1994-2001 Dodge Camioneta de Cabina Corta:

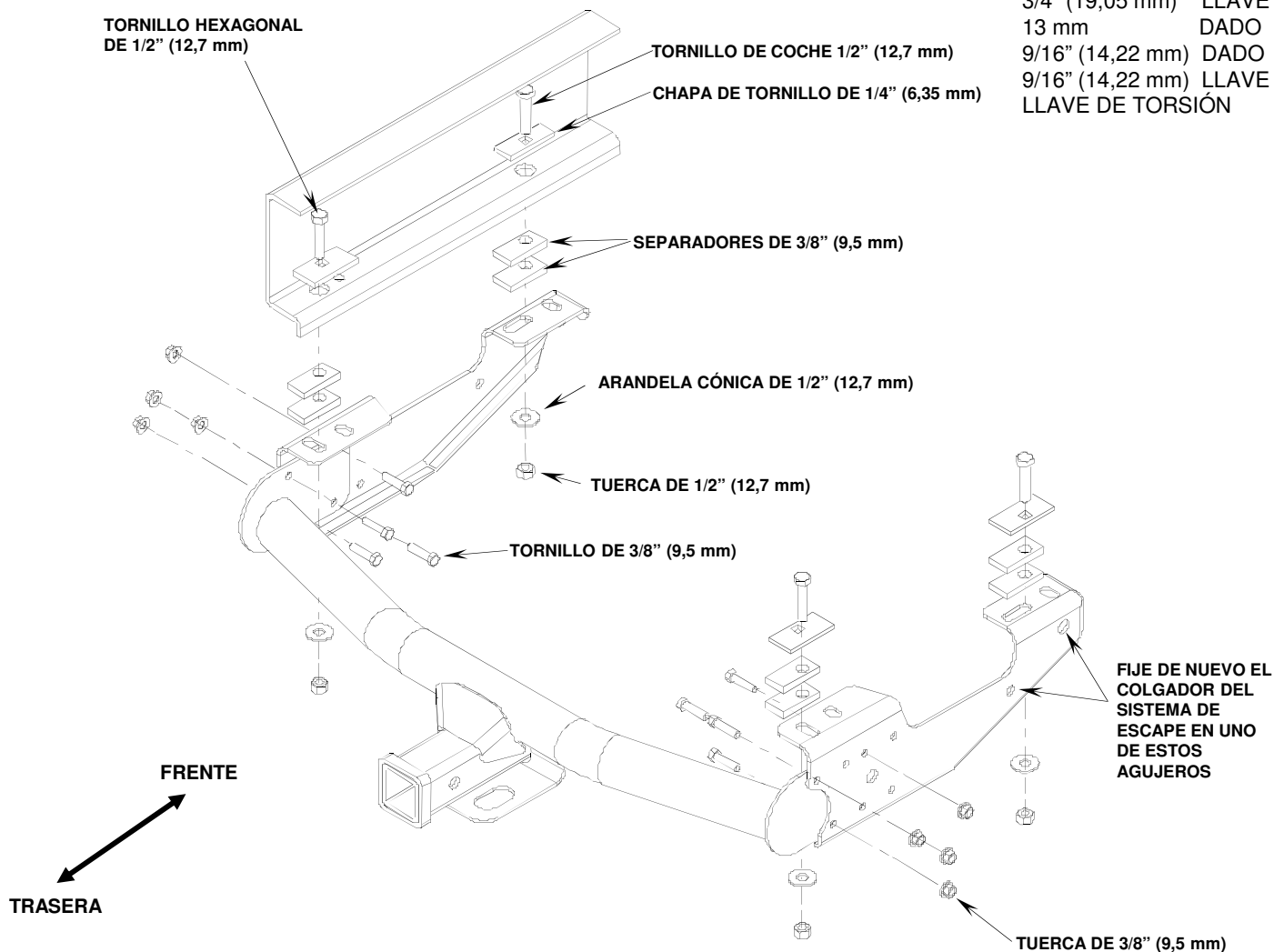
2002 Dodge Camioneta de Cabina Corta 2500 & 3500:

- Es probable que sea necesario aflojar la llanta de repuesto antes de comenzar la instalación.
- Atornille los soportes a la estructura, así como se ilustra. Use un tornillo de 1/2" (12,7 mm) junto con una chapa de tornillo de 1/4" (6,35 mm) e insértelos a través del agujero de 1" (25,4 mm) de diámetro que se encuentra al final de la estructura. Instale dos separadores de 3/8" (9,5 mm) de grosor entre la estructura y los soportes en las localidades de atornillaje traseras. Instale arandelas cónica de 1/2" (12,7 mm) y tuercas en los tornillos. **NOTA:** En algunos modelos, el colgador del sistema de escape tendrá que ser desatornillado de la estructura.
- Instale la sección central entre los soportes, así como se ilustra. Use el patrón de agujeros que va mejor con su camioneta. Inserte los tornillos de 3/8" (9,5 mm) a través de la sección central y los soportes. Instale arandelas de presión de 3/8" (9,5 mm) y tuercas en los tornillos. Por ahora, apriete éstos tornillos con la mano. **NOTA:** Asegúrese de usar los cuatro agujeros para atornillar cada soporte a la sección central.
- Usando el agujero del soporte como guía, taladre un agujero de 1/2" (12,7 mm) a través de la estructura. Use el agujero que se muestra en el diagrama. Instale tornillos de 1/2" (12,7 mm) junto con chapas de tornillo en los agujeros. Asegúrese de insertar dos separadores de 3/8" (9,5 mm) de grosor entre la estructura y los soportes. Instale las arandelas cónica y las tuercas de 1/2" (12,7 mm) en los tornillos.
- Si el colgador del sistema de escape fue desmontado, taladre un agujero de 3/8" (9,5 mm) a través del colgador y una el colgador al soporte del enganche usando uno de los agujeros indicados. Use las piezas de 3/8" (9,5 mm) que se proveen para atornillar seguramente el colgador del sistema de escape.
- Apriete las tuercas en el orden siguiente:
Apriete primero las tuercas de 3/8" (9,5 mm) a una torsión de 35 pies·libra (47,5 N·m).
Luego apriete las tuercas de 1/2" (12,7 mm) a una torsión de 70 pies·libra (95 N·m).
- Si aflojó la llanta de repuesto, apriétela ahora.

EL CUADRO ARRIBA NO DEMUESTRA EL SOPORTE DE MONTAJE INTERNO EN EL TUBO CRUZADO PARA LA CLARIDAD - DEMOSTRADA EN LA PÁGINA 27

HERRAMIENTAS NECESARIAS

3/8" (9,5 mm) BROCA
 3/4" (19,05 mm) DADO
 3/4" (19,05 mm) LLAVE
 13 mm DADO
 9/16" (14,22 mm) DADO
 9/16" (14,22 mm) LLAVE
 LLAVE DE TORSIÓN

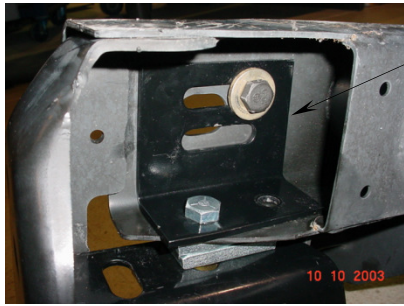


EL CUADRO ARRIBA NO DEMUESTRA EL SOPORTE DE MONTAJE INTERNO EN EL TUBO CRUZADO PARA LA CLARIDAD - DEMOSTRADA EN LA PÁGINA 27

1994-2001 Dodge Camioneta de Cabina Larga:
2002 Dodge Camioneta de Cabina Larga 2500 & 3500:

1. Es probable que sea necesario aflojar la llanta de repuesto antes de comenzar la instalación.
2. Atornille los soportes a la estructura, así como se ilustra. Use un tornillo de 1/2" (12,7 mm) junto con una chapa de tornillo de 1/4" (6,35 mm) e insértelos a través del agujero de 1" (25,4 mm) de diámetro que se encuentra al final de la estructura. Instale dos separadores de 3/8" (9,5 mm) de grosor entre la estructura y los soportes en las localidades de atornillaje traseras. Instale arandelas cónica de 1/2" (12,7 mm) y tuercas en los tornillos. **NOTA:** En algunos modelos, el colgador del sistema de escape tendrá que ser desatornillado de la estructura.
3. Instale la sección central entre los soportes, así como se ilustra. Use el patrón de agujeros que va mejor con su camioneta. Inserte los tornillos de 3/8" (9,5 mm) a través de la sección central y los soportes. Instale arandelas de presión de 3/8" (9,5 mm) y tuercas en los tornillos. Por ahora, apriete éstos tornillos con la mano. **NOTA:** Asegúrese de usar los cuatro agujeros para atornillar cada soporte a la sección central.
4. Inserte un tornillo de 1/2" (12,7 mm) junto con una chapa de tornillo de 1/4" (6,35 mm) a través del agujero de diámetro de 1" (25,4 mm) en la estructura y en el soporte, como se muestra. Inserte dos separadores de 3/8" (9,5 mm) de grosor entre la estructura y el soporte. Instale una arandela cónica y una tuerca en el tornillo. Haga esto en ambos lados.
5. Si el colgador del sistema de escape fue desmontado, taladre un agujero de 3/8" (9,5 mm) a través del colgador y una el colgador al soporte del enganche usando uno de los agujeros indicados. Use las piezas de 3/8" (9,5 mm) que se proveen para atornillar seguramente el colgador del sistema de escape.
6. Apriete las tuercas en el orden siguiente:
 Apriete primero las tuercas de 3/8" (9,5 mm) a una torsión de 35 pies•libra (47,5 N•m).
 Luego apriete las tuercas de 1/2" (12,7 mm) a una torsión de 70 pies•libra (95 N•m).
7. Si aflojó la llanta de repuesto, apriétela ahora.

EL CUADRO ARRIBA NO DEMUESTRA EL SOPORTE DE MONTAJE INTERNO EN EL TUBO CRUZADO PARA LA CLARIDAD - DEMOSTRADA EN LA PÁGINA 27



ESTRUCTURA DE
ÁNGULO DE
REFUERZO

ARANDELA DE
SEGURIDAD DE
1/2" (6,35mm)

TORNILLO DE COCHE
1/2" (12,7 mm)

CHAPA DE TORNILLO
DE 1/4" (6,35 mm)

EQUIPO NECESARIO

BROCA	1/4" (6mm) y 9/16" (14mm)
DADO	3/4" (19mm)
LLAVE	3/4" (19mm)
LLAVE	18MM
DADO	19MM
DADO	9/16" (14,2mm)
LLAVE	9/16" (14,2mm)
LLAVE DE TORSIÓN	

TORNILLO HEXAGONAL
DE 1/2" (12,7 mm)

ARANDELA CÓNICA
DE 1/2" (12,7 mm)

TUERCA DE 1/2"
(12,7 mm)

ORIFICIO 2

TORNILLO DE 3/8" (9,5 mm)

ORIFICIO TALADRADO

TORNILLO HEXAGONAL
DE 12 mm

SEPARADORES
DE 3/8" (9,5 mm)

ÁREA "B"

CHAPA DE
TORNILLO
DE 1/4"
(6,35 mm)

TUERCA DE
3/8" (9,5 mm)

ARANDELA CÓNICA
DE 1/2" (12,7 mm)

TUERCA DE 1/2"
(12,7 mm)

MÉNSULA DE
MONTAJE
INTERIOR

ORIFICIO 4
ARANDELA CÓNICA
DE 1/2" (12,7 mm)

(2 3/4")
(70mm)

(1 5/8")
(41mm)

(14 5/8")
(371mm)

ÁREA "B"

ORIFICIO TALADRADO

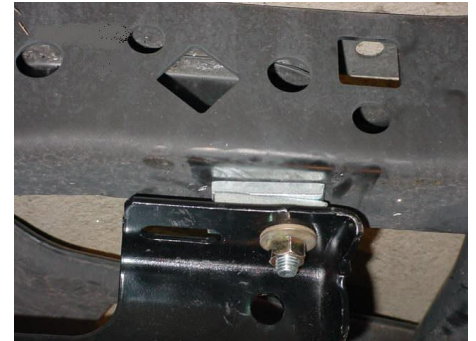
TUERCA DE 1/2"
(12,7 mm)

ORIFICIO TALADRADO

(1 5/16")
(33mm)

PARTE POSTERIOR DE LA ESTRUCTURA

(VISTA INFERIOR DE LA ESTRUCTURA LATERAL DEL PASAJERO)



2004 - 05 FORD F-150 (NUEVO TIPO DE CARROCERÍA) SIN EL HUMIDIFICADOR DE LA VIBRACIÓN EN MARCO

1. Llanta de refacción inferior para facilitar la instalación.
2. Aplique cinta adhesiva en el fondo de la estructura, en las áreas "A" y "B". Lo mismo en ambos rieles de la estructura.
3. Mida desde el exterior hasta adentro de la estructura una distancia de 1 5/16" (33 mm) y trace una línea con la longitud del área "A".
4. Mida desde el exterior hasta adentro de la estructura una distancia de 1 5/8" (41 mm) y trace una línea con la longitud del área "A".
5. Mida desde la parte posterior del grillete con resorte una distancia de 2 3/4" (70 mm) y haga una marca. A partir de esa marca, mida una distancia de 14 5/8" (37 cm) hacia el frente y haga una marca.
6. Soporte la ménsula lateral encima de la parte inferior de la estructura. Revise dos veces los orificios 2 y 4 en la ménsula lateral para comprobar que están perfectamente alineados con las marcas. Si no están alineados, ajuste las marcas en el área "B".
7. Centre el punzón y el barreno de piloto con el dado de la broca de 1/4" (.635 mm). Total de 4 orificios (2 por cada riel de la estructura).
8. Agrande el orificio piloto con la broca de 9/16" (1.43 mm).
9. Instale sueltas las ménsulas laterales tal como se muestra. Incluya el ángulo de refuerzo en el interior de la estructura y los bloques debajo de la misma.
10. Instale el montaje del tubo transversal entre las ménsulas laterales y asegúrelo con (4) pernos de 3/8" (.953 mm) por cada lado.
11. Apriete primero los pernos de 3/8" (.953 mm) del tubo transversal a 35 pies•LB (47.5 Nm). Después apriete los pernos de montaje de 1/2" (1.27 mm) de la estructura a 70 pies•LB (95 Nm).
12. Usando la ranura superior del ángulo de refuerzo de la estructura colocada dentro de la misma en el paso 8. Perfore un orificio de 1/2" (1.27 mm) en el interior de la estructura lo más al frente posible que permita la ranura.
13. Instale los sujetadores M-12 a través de la parte lateral de la estructura, tal como se muestra, para apretarlos a 75 pies•LB (101.7 Nm).
14. Eleve la llanta de refacción.

For Installation Assistance or Technical Help, Call:
Si vous avez des questions sur l'installation et le choix de l'attelage, composez le:
Si Necesita Ayuda para la Instalación o Ayuda Técnica, Llame al:
www.cequentgroup.com ; 1-800-234-6992

This product complies with safety specification and requirements for the State of New York and VESC regulation V-5 for connecting devices and towing systems. **Weight distributing hitch** rating is **7500 lb** maximum gross trailer weight and **750 lb** maximum tongue weight. **Weight carrying hitch** rating is **5000 lb** maximum gross trailer weight and **500 lb** maximum tongue weight. Consult vehicle owners manual for towing recommendations and limitations.

Ce produit est conforme aux exigences et aux prescriptions de sécurité de l'état de New York et de la norme V-5 de la VESC pour les dispositifs de raccordement et les attelages. La capacité de l'**attelage répartiteur de charge** correspond à un poids brut de remorque maximal de **7 500 lb** et à une charge maximale de **750 lb** sur le timon. La capacité d'un **attelage sans dispositif de répartition** correspond à un poids brut de remorque maximal de **5 000 lb** et à une charge maximale de **500 lb** sur le timon. Reportez-vous au manuel du propriétaire afin de prendre connaissance des recommandations et des limites dictées par le constructeur.

Este producto cumple con los requerimientos y especificaciones de seguridad del estado de Nueva York y el reglamento VESC V-5 para dispositivos de conexión y sistemas de remolque. El **enganche tipo distribuidor del peso** tiene una capacidad máxima de **7500 lb / 3 402 kg** peso bruto de la remolque, y **750 lb / 340 kg** en la horquilla. El enganche tipo llevador de peso tiene una capacidad de **5000 lb / 2 268 kg** máximo (peso bruto del remolque) y la carga máxima admisible de la horquilla es de **500 lb / 226,8 kg**. Para las recomendaciones y limitaciones del remolque consulte el manual del usuario del vehículo.

THREE YEAR LIMITED WARRANTY
GARANTIE LIMITÉE DE TROIS ANS
GARANTÍA LIMITADA DE TRES AÑOS (Válida solamente en EE.UU.)

This limited warranty covers products produced by either Cequent Consumer Products, Inc., or Cequent Towing Products, Inc. (herein collectively "Cequent"). Cequent warrants this hitch against defects in material and workmanship under normal recreational use and service, ordinary wear and tear excepted, for three years from the date of purchase, to the original consumer purchaser. Cequent will replace FREE OF CHARGE any part which proves defective in material or workmanship when presented to any Cequent dealer, Cequent Warehouse or returned to factory, TRANSPORTATION CHARGES PREPAID, at the address below. THIS WARRANTY IS LIMITED TO DEFECTIVE PARTS REPLACEMENT ONLY. LABOR CHARGES AND/OR DAMAGE INCURRED IN INSTALLATION OR REPLACEMENT AS WELL AS INCIDENTAL AND CONSEQUENTIAL DAMAGES CONNECTED THEREWITH ARE EXCLUDED. Some states do not allow the exclusion or limitation of incidental or consequential damages, so the above limitation or exclusion may not apply to you. Any damage to the Hitch, Custom Hitch receiver or Sway Control as a result of misuse, abuse, neglect, accident, improper installation, or any use violative of instructions furnished by us, WILL VOID THE WARRANTY. This warranty gives you specific legal rights, and you may also have other rights which vary from state to state. In the event of a problem with warranty service or performance, you may be able to go to a small claims court, a state court, or a federal district court.

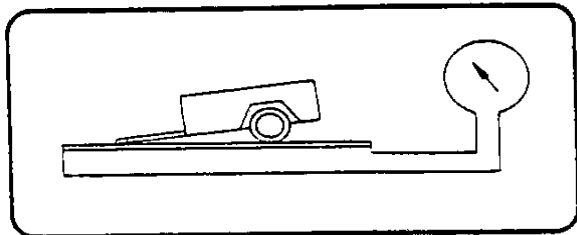
Cette garantie limitée couvre des produits produits par Cequent Consumer Products, Inc., ou produits de remorquage de Cequent, Inc. (herein collectivement "Cequent"). Cequent garantit cet attelage contre les vices de matériau et de fabrication qui se manifestent dans les conditions normales d'utilisation et de service de récréation (ceci ne couvrant pas l'usure normale) à compter de la date d'achat pendant trois ans de la période de propriété de l'acheteur initial. Cequent remplacera SANS FRAIS toute pièce si un défaut de fabrication ou de matériaux vient qu'à se manifester et que l'accessoire est retourné au magasin, à l'entrepôt ou à l'usine Cequent, PORT PAYÉ. CETTE GARANTIE EST LIMITÉE AU REMPLACEMENT DES PIÈCES DÉFECTUEUSES SEULEMENT. ELLE NE COUVRE PAS NON PLUS LES FRAIS DE MAIN-D'ŒUVRE ET LES DOMMAGES ENCOEURUS PENDANT L'INSTALLATION OU LE REMPLACEMENT, Y COMPRIS LES DOMMAGES FORTUITS OU INDIRECTS. Comme les limites de temps relatives à une garantie tacite ou l'exclusion des dommages de nature fortuite ou indirecte n'ont pas nécessairement cours dans toutes les provinces, il se peut que lesdites limites ou exclusions ne vous concernent pas. La garantie des attelages à barre de tirage fixe ou amovible et des stabilisateur EST ANNULÉE D'OFFICE dans le cas d'un mauvais emploi, d'un usage abusif, d'un accident, d'une mauvaise installation ou de toute utilisation contraire aux instructions qui les accompagnent. Certains droits particuliers vous sont dévolus en vertu de la présente garantie et peuvent s'accompagner d'autres droits en fonction de la province où vous résidez.

Esta garantía limitada cubre los productos producidos por Cequent Consumer Products, Inc., o productos del remolque de Cequent, Inc. (herein colectivamente "Cequent"). Cequent garantiza este enganche contra defectos del material y mano de obra bajo condiciones de servicio y uso normal de recreación, exceptuando el desgaste normal, a partir de la fecha de compra y durante tres años del período de propiedad del comprador original. Cequent reemplazará GRATUITAMENTE cualquier pieza que resulte defectuosa en material o mano de obra cuando sea presentada a cualquier distribuidor Cequent, al Cequent o sea devuelta a la fábrica, CON PORTE PAGADO, a la dirección indicada abajo. ESTA GARANTIA SE LIMITA SOLAMENTE AL REEMPLAZO DE PIEZAS DEFECTUOSAS. LOS COSTOS DE MANO DE OBRA Y/O DAÑOS INCURRIDOS EN LA INSTALACION O REEMPLAZO ASI COMO LOS DAÑOS SECUNDARIOS O CONSECUENTES RELACIONADOS CON ELLO QUEDAN EXCLUIDOS. En algunos estados no se permite la exclusión o limitación de los daños consecuentes o indirectos, por lo tanto la limitación o exclusión anterior puede que no se aplique en su caso. Cualquier daño al enganche, al receptor del enganche Custom o al control controlado causado por mal uso, abuso, negligencia, accidente, instalación incorrecta o cualquier uso que no cumpla con las instrucciones suministradas por nosotros, ANULARA LA GARANTIA. Esta garantía le otorga derechos legales específicos y usted puede también tener otros derechos que varían de un estado a otro. En el caso de un problema relacionado con servicio o rendimiento en virtud de la garantía, usted puede recurrir a la corte de pequeña cuantía, a la corte estatal o federal.

Cequent Towing Products
27070 Miles Rd.
Solon, OH 44139

IMPORTANT INFORMATION ON TOWING

TOWING EQUIPMENT OWNERS: Make sure all operators of your equipment read and understand this information before towing. Save for reference. This will help you properly select, use, and maintain your towing equipment. Refer to owner's manuals for your tow vehicle, trailer, and other parts of your towing system. Learn the capabilities and limitations of each part. **GROSS TRAILER WEIGHT** and **TONGUE WEIGHT** are two of the most important items to consider. **THESE WEIGHTS MUST NEVER EXCEED THE LOWEST RATING OF ANY PART OF YOUR TOWING SYSTEM.** **GROSS TRAILER WEIGHT** is the weight of the trailer plus all cargo. Measure **GROSS TRAILER WEIGHT** with the fully loaded trailer on a level surface. The **WEIGHT** is the downward force exerted on the ball by the trailer coupler. Measure **TONGUE WEIGHT** with the fully loaded trailer on a level surface. The coupler must be at its normal towing height. Use a commercial scale or a bathroom scale. Set up the bathroom scale as shown for heavy tongue weights.



**METHOD FOR MEASURING GROSS TRAILER WEIGHT
YOUR TOWING EQUIPMENT**

TRAILER HITCHES, RECEIVERS, AND BALL MOUNTS

Select these products by their gross trailer weight and tongue weight ratings. Select hitches and receivers for specific vehicles.

HITCH BALLS

Select by gross trailer weight rating, mounting platform thickness, hole size, and coupler socket size. Platform must be at least 3/8 inch thick. Hole must not exceed threaded shank diameter by more than 1/16 inch. Use lock washer. Tighten per instructions. When tightened, shank must protrude beyond bottom of nut. Gross trailer weight rating and ball diameter are marked on **REESE** balls.

TRAILER COUPLERS

The coupler socket should be smooth, clean, and lightly lubricated. Tighten or adjust per coupler manufacturer's instructions.

SAFETY CHAINS

Connect safety chains properly **EVERY TIME YOU TOW**. Cross chains under coupler. Attach securely to the hitch or tow vehicle so they can't bounce loose. Leave only enough slack to permit full turning. Too much slack may prevent chains from maintaining control if other connections separate. Don't let chains drag on the road.

TRAILER LIGHTS, TURN SIGNALS, ELECTRIC BRAKES, AND BREAK AWAY SWITCH CONNECTIONS

Make these safety-critical connections **EVERY TIME YOU TOW**, no matter how short the trip. Check operation, including electric brake manual control, before getting on the road.

SWAY CONTROLS

Sway controls can lessen the effects of sudden maneuvers, wind gusts, and buffeting caused by other vehicles. We recommend them for trailers with large surface areas, such as travel trailers. Adjustable friction models can help control trailers with low tongue weight percentage.

OTHER USEFUL EQUIPMENT

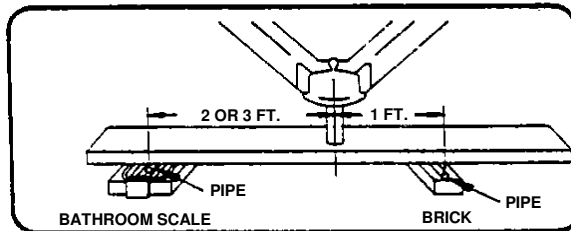
AIR SPRINGS, AIR SHOCKS, or HELPER SPRINGS are useful for some hitch applications. A **TRANSMISSION COOLER** may be necessary for heavy towing. Many states require **TOWING MIRRORS** on both sides.

TIRE INFLATION

Check often. Follow tow vehicle and trailer manufacturers' recommendation. Improper tire inflation can cause trailer sway.

CHECK YOUR EQUIPMENT / REPLACE WORN PARTS

Check ball, coupler, chains, retaining pins and clips, and all other connections **EVERY TIME YOU TOW**. Re-check at fuel and rest stops.



**METHOD FOR MEASURING TRAILER TONGUE WEIGHT
SAFE TOWING TIPS**

NO PASSENGERS IN TRAILERS!

NEVER allow people in trailers while towing, under any circumstances.

TRAILER LOADING

Proper loading helps prevent sway. Place heavy object on the floor ahead of the axle. Balance the load side-to-side. Secure it to prevent shifting. Tongue weight should be 10-15 percent of gross weight for most trailers. Too low a percentage of tongue weight can cause sway. **NEVER** load the trailer rear-heavy. **LOAD THE TRAILER HEAVIER IN FRONT.**

DRIVING

The additional weight of a trailer affects acceleration, braking and handling. Allow extra time for passing, stopping, and changing lanes. Severe bumps can damage your towing vehicle, hitch, and trailer. Drive slowly on rough roads. **STOP AND MAKE A THOROUGH INSPECTION IF ANY PART OF YOUR TOWING SYSTEM STRIKES THE ROAD. CORRECT ANY PROBLEMS BEFORE RESUMING TRAVEL.**

CHECK FOR EXCESSIVE SWAY AND ELIMINATE IT

Excessive sway can lead to loss of control. Sway motion should settle out quickly. Sway tends to increase on a downgrade. Starting slowly, increase speed in gradual steps. If sway occurs, adjust your trailer load and equipment. Repeat until the trailer is stable at highway speed. Do this whenever your trailer loading changes.

IF TRAILER SUDDENLY STARTS TO SWAY

Turbulence from another vehicle, a wind gust, or a downgrade can cause sudden sway. So can a shift of the trailer's load or a trailer tire blowout. **IF THE TRAILER SWAYS, IT IS THE DRIVER'S RESPONSIBILITY TO ASSESS THE SITUATION AND TAKE APPROPRIATE ACTION.** Below are suggestions that may apply, depending on conditions:

DO

- Reduce your speed gradually.
- Hold the steering wheel as steady as possible.
- If your trailer has electric brakes, apply the brakes alone, without using the tow vehicle's brakes.

DON'T

- Don't hit your brake pedal hard unless absolutely necessary. A "jackknife" can result.
- Don't try to steer out of the sway condition. Sudden or violent steering can make it worse.
- Don't speed up. Sway increases as you go faster.
- Don't continue towing a trailer that tends to sway. You may lose control during an emergency maneuver or if the conditions listed above occur.

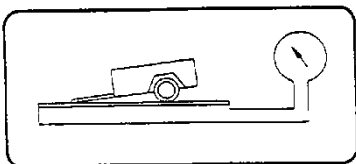
WARNING

DO NOT MODIFY REESE PRODUCTS. INSTALL ONLY ON SPECIFIED VEHICLES IN GOOD CONDITION. REESE TOWING PRODUCTS ARE DESIGNED TO TOW TRAILERS. USE ONLY FOR THIS PURPOSE. Do not attach cargo carriers, motorcycle carriers, boat hoists, or coupler alignment devices. Do not extend the original structure. Do not use to pull or push the towing vehicle. Do not use as a jacking point. Do not attach anything with or in place of the ball. Any exceptions to the foregoing require written approval of REESE PRODUCTS, Inc. **DO NOT TOW MULTIPLE TRAILERS.** Towing one trailer behind another may cause severe instability and loss of control. **FAILURE TO HEED WARNINGS AND FOLLOW INSTRUCTIONS MAY RESULT IN VEHICLE CRASH, PROPERTY DAMAGE AND PERSONAL INJURY**

DON'T OVERLOAD ANY PART OF YOUR TOWING SYSTEM

INFORMATION IMPORTANTE SUR LE REMORQUAGE

PROPRIÉTAIRES D'ÉQUIPEMENT DE REMORQUAGE: Assurez-vous que tous les opérateurs de votre équipement lisent et comprennent cette information avant de remorquer. Gardez-la pour référence. Cela vous aidera à sélectionner, utiliser et entretenir correctement votre équipement de remorquage. Référez aux manuels du propriétaire pour votre véhicule remorqueur, remorque, et les autres composantes de votre système de remorquage. Apprenez les capacités et les limites de chaque composante. **LE POIDS AU TIMON** et **POIDS BRUT DE LA REMORQUE** sont deux des points les plus importants à considérer. **CES POIDS NE DOIVENT JAMAIS DÉPASSER LA COTE LA PLUS BASSE DE L'ENSEMBLE DES COMPOSANTES DE VOTRE SYSTÈME DE REMORQUAGE. LE POIDS BRUT DE LA REMORQUE** est le poids de la remorque plus toute la charge. Pesez **LE POIDS BRUT DE LA REMORQUE** en mettant la remorque chargée à pleine sur une balance pour véhicule. **LE POIDS AU TIMON** est la force descendante exercée sur la boule par le coupleur de la remorque. Pesez **LE POIDS AU TIMON** avec la remorque chargée sur une surface à niveau. Le coupleur doit être à l'hauteur normal de remorquage. Utilisez une balance commerciale ou un pese-personne. Préparez le pese-personne comme montré pour les poids au timon très lourds.



MÉTHODE POUR PESER LE POIDS BRUT DE LA REMORQUE

VOTRE ÉQUIPEMENT DE REMORQUAGE

ATTACHES DE REMORQUE, ATTELAGES ET TIMONS

Sélectionnez ces produits par leur cote de poids brut de remorque et poids au timon. Sélectionnez les attaches et les attelages pour les véhicules spécifiques.

BOULES D'ATTELAGE DE REMORQUE

Sélectionnez par la cote du poids brut de la remorque, l'épaisseur de la base de montage et le diamètre du trou et de la cavité du coupleur. La base doit avoir au moins une épaisseur de 3/8 po. Le trou ne doit pas dépasser par plus que 1/16 po le diamètre des fils de la tige. Utilisez une rondelle de blocage. Serrez selon les instructions. Serrée, la tige doit s'étendre au-delà du fond de l'écrou. La cote du poids brut de la remorque et le diamètre de la boule sont marqués sur des boules d'attelage REESE.

COUPLEURS DE REMORQUE

La cavité du coupleur doit être lisse, propre et légèrement lubrifiée. Serrez ou ajustez selon les instructions du fabricant du coupleur.

CHAÎNES DE SÉCURITÉ

Reliez les chaînes de sécurité correctement **CHAQUE FOIS QUE VOUS REMORQUEZ**. Croisez les chaînes sous le coupleur. Attachez-les solidement au véhicule remorqueur ou à l'attelage afin qu'ils ne puissent pas se détacher en rebondissant. Laissez seulement assez de jeu pour permettre de tourner complètement. Trop de jeu peut empêcher les chaînes de maintenir le contrôle si le coupleur se détache. Ne permettez pas que les chaînes traînent sur la route.

CONNEXIONS DES FEUX DE LA REMORQUE, CLIGNOTANTS, FREINS ÉLECTRIQUES ET DISPOSITIF DE FREINAGE AUTOMATIQUE

Faites ces connexions nécessaires à la sécurité **CHAQUE FOIS QUE VOUS REMORQUEZ**, peu importe la durée du voyage. Vérifiez toute opération, incluant le contrôle manuel des freins électriques, avant de se mettre en route.

DISPOSITIF ANTIROULIS

Le dispositif antiroulis peut réduire les effets des manœuvres soudaines, les rafales de vent naturelles, ou celles causées par les autres véhicules. Nous les recommandons pour les remorques à grandes superficies, telles que les roulettes. Les modèles à friction ajustables peuvent aider à contrôler les remorques ayant peu de pourcentage de poids au timon.

AUTRE ÉQUIPEMENT UTILE

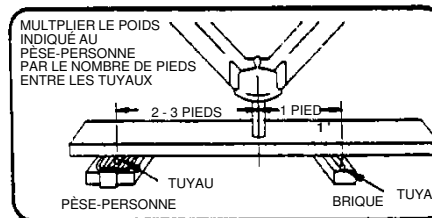
LES RESSORTS À AIR, AMORTISSEURS À AIR ou RESSORTS SUPPLÉMENTAIRE sont utiles à certaines applications d'attelage. UN REFROIDISSEUR DE TRANSMISSION peut être nécessaire pour le remorquage lourd. Beaucoup d'états exigent les RÉTROVISEURS DE REMORQUAGE sur les deux côtés.

GONFLAGE DES PNEUS

Vérifiez souvent. Suivez les recommandations des fabricants de la remorque et du véhicule remorqueur. Le gonflage incorrect des pneus peut résulter en roulis de la remorque.

VÉRIFIER VOTRE ÉQUIPEMENT / REMPLACER LES PIÈCES USÉES

Vérifiez la boule, le coupleur, les chaînes, les goupilles et barres à ressort, et toutes autres connexions **CHAQUE FOIS QUE VOUS REMORQUEZ**. Vérifiez-les de nouveau aux arrêts de repos ou lors d'emplissage.



MÉTHODE POUR PESER LE POIDS AU TIMON

AVIS DE SÉCURITÉ

PAS DE PASSAGERS DANS LA REMORQUE!

Ne permettez jamais des gens dans la remorque pendant le remorquage, peu importe les circonstances.

CHARGER LA REMORQUE

Chargez correctement pour empêcher le roulis. Placez des objets lourds sur le plancher devant l'essieu. Équilibrez la charge de deux côtés. Fixez-la pour empêcher un déplacement. Le poids au timon devrait être 10 - 15% du poids brut pour la plupart des remorques. Un faible pourcentage de poids au timon peut résulter en roulis. **CHARGEZ LA REMORQUE PLUS LOURDEMENT VERS L'AVANT.**

CONDUITE

Le poids additionnel d'une remorque a un effet sur l'accélération, le freinage et le maniement. Permettez assez de temps additionnel pour passer, arrêter et changer de voie. Les bosses sévères peuvent endommager votre véhicule remorqueur, l'attelage et la remorque. Conduisez doucement sur des routes rudes. **ARRÊTEZ ET FAITES UNE INSPECTION COMPLÈTE SI QUELQUE PARTIE DE VOTRE SYSTÈME DE REMORQUAGE FRAPPE LA ROUTE. CORRIGEZ TOUT PROBLÈME AVANT DE REPRENDRE LA ROUTE.**

TESTER POUR LE ROULIS EXCESSIF ET L'ÉLIMINER

Le roulis excessif peut résulter en perte de contrôle. Il doit se régler rapidement. Le roulis a tendance à augmenter sur une descente. Commencez lentement, augmentez la vitesse graduellement. Si le roulis commence, ajustez votre équipement et le chargement de la remorque. Répétez jusqu'à ce que la remorque soit stable à vitesse d'autoroute. Faites cela chaque fois qu'il y a un changement de charge de la remorque.

SI VOTRE REMORQUE COMMENCE SOUDAINEMENT OSCILLER

La turbulence d'un autre véhicule, une rafale de vent, ou une descente peut causer le roulis soudain, aussi bien que peut un changement de charge de la remorque ou un pneu crevé de la remorque. **SI LA REMORQUE SE MET EN ROULIS, IL EST LA RESPONSABILITÉ DU CONDUCTEUR À ÉVALUER LA SITUATION ET PRENDRE L'ACTION APPROPRIÉE.** Ci-dessous sont quelques suggestions qui peuvent vous aider, dépendant de conditions:

À FAIRE

- Réduisez votre vitesse graduellement.
- Tenez le volant aussi stable que possible.
- Si votre remorque a des freins électriques, appliquez-les sans utiliser les freins du véhicule remorqueur.

NE PAS FAIRE

- Ne freinez pas fortement, à moins qu'il soit absolument nécessaire. Cela peut résulter en une "mise en portefeuille".
- N'essayez pas de sortir du roulis en virant. Virer soudainement ou violemment peut l'augmenter.
- N'accélérez pas. Le roulis augmente avec la vitesse.
- Ne continuez pas de remorquer une remorque qui a tendance au roulis. Vous pouvez perdre le contrôle pendant une manœuvre d'urgence ou si les conditions énumérées ci-dessus se présentent.

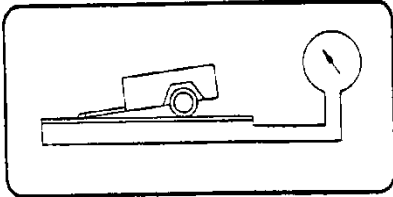
AVERTISSEMENT

NE MODIFIEZ PAS LES PRODUITS REESE. INSTALLEZ-LES SEULEMENT SUR LES VÉHICULES SPÉCIFIÉS QUI SOIENT EN BON ÉTAT. LES PRODUITS DE REMORQUAGE REESE SONT CONÇUS POUR TIRER DES REMORQUES. EMPLOYEZ-LES SEULEMENT DANS CE BUT. N'attachez pas un porteur de cargaison, porteur de motocyclette, treuil de bateau, ou un dispositif d'alignement de coupleur. Ne prolongez pas la structure originale. Ne l'utilisez pas pour tirer ou pousser le véhicule remorqueur. Ne l'utilisez pas comme un point de cric. N'attachez rien avec ou en place de la boule. Toute exception à la précédente exige l'approbation écrite de REESE PRODUCTS, Inc. **NE REMORQUEZ PAS DES REMORQUES MULTIPLES.** Remorquer une remorque derrière une autre peut résulter en perte de contrôle et instabilité sévère. **NÉGLIGER LES AVERTISSEMENTS OU NE PAS SUIVRE LES INSTRUCTIONS PEUT RÉSULTER D'UN ACCIDENT AU VÉHICULE, DOMMAGES DE PROPRIÉTÉ ET BLESSURE PERSONNELLE.**

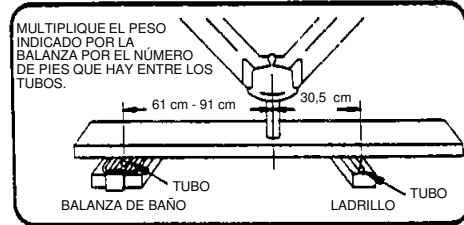
NE SURCHARGEZ AUCUNE COMPOSANTE DE VOTRE SYSTÈME DE REMORQUAGE

INFORMACION IMPORTANTE PARA EL QUE REMOLCA

PROPIETARIO DE EQUIPO DE REMOLQUE: Asegúrese de que todos los operadores del equipo de remolque lean y comprendan esta información ANTES de usarlo (remolcar). Manténgala a la mano, pues ésta le ayudará a seleccionar, usar y mantener apropiadamente el equipo. Recorra siempre a los manuales del propietario de su vehículo de remolque, tráiler y las diferentes partes de su equipo de remolque. Aprenda acerca de las capacidades y limitaciones de cada componente. **EL PESO BRUTO DE REMOLQUE y EL PESO EN LA HORQUILLA** son los dos aspectos a los cuales se debe prestar la mayor importancia y consideración. **ESTOS PESOS NUNCA DEBEN EXCEDER EL ESTIMADO MINIMO DE NINGUNO DE LOS COMPONENTES DE SU SISTEMA DE REMOLQUE. PESO BRUTO DE REMOLQUE** es el peso del remolque cuando éste se encuentra cargado. Para determinar el **PESO BRUTO DE REMOLQUE**, coloque el remolque cargado en una balanza para vehículos. **PESO EN LA HORQUILLA** es la fuerza vertical que es transferida a través del acoplador y reflejada sobre la bola de enganche. Determine el **PESO EN LA HORQUILLA** con el remolque totalmente cargado y sobre una superficie a nivel. El acoplador de bola debe estar a la altura normal de remolque. Use una balanza comercial o una balanza de baño. Si por alguna razón el peso en la horquilla excede la capacidad máxima de la balanza, determine el peso en la horquilla de la manera en que la figura lo ilustra.



MÉTODO PARA DETERMINAR EL PESO BRUTO DE REMOLQUE



MÉTODO PARA DETERMINAR EL PESO EN LA HORQUILLA

SU EQUIPO DE REMOLQUE

ENGANCHES DE REMOLQUE, RECEPTORES DE ENGANCHE Y SOSTENEDOR DE BOLA.

Seleccione estos productos de acuerdo al peso bruto de remolque y el peso en la horquilla. Seleccione los enganches y los receptores de acuerdo al tipo de vehículo que usted posee.

BOLA DE ENGANCHE

Selecciónela tomando en cuenta el peso bruto de remolque, grosor de la plataforma de montaje, diámetro del orificio y tamaño de la junta de encastre. La plataforma de montaje debe tener un grosor de al menos 3/8 (9,5 mm) de pulgada. El orificio no debe exceder el diámetro de la pierna roscada por más de 1/16 (1,58 mm) de pulgada. Use una arandela de presión. Apriete de acuerdo a las instrucciones. Luego de haber apretado, la pierna roscada debe sobresalir del borde de la tuerca. La

clasificación del peso bruto de remolque y el diámetro de la bola, se encuentran marcados en todas las bolas REESE.

ACOPLADORES DE BOLA

El encastre del acoplador de bola debe ser liso, estar limpio y ligeramente lubricado. Apriete o ajuste de acuerdo a las instrucciones del fabricante del acoplador.

CADENAS DE SEGURIDAD

Conecte adecuadamente las cadenas de seguridad **CADA VEZ QUE REMOLQUE**. Cruce las cadenas debajo de la junta de encastre. Fíjelas al vehículo remolcador o al enganche y asegúrese de que éstas no entren en contacto con la carretera. Si las cadenas están demasiado flojas, éstas no podrán mantener el control del remolque en caso de que otras conexiones se llegasen a separar. No permita que las cadenas entren en contacto con la carretera.

CONEXIONES PARA LUCES DE REMOLQUE, LUCES DE CRUCE, FRENOS ELÉCTRICOS E INTERRUPTOR DE DESCONEJÓN ACCIDENTAL

No importa cuan corto sea el viaje, asegúrese de hacer estas conexiones **CADA VEZ QUE USE EL REMOLQUE**. Antes de partir, asegúrese de que todas las conexiones estén funcionando adecuadamente, incluyendo el control manual del freno eléctrico.

CONTROLES DE BALANCE

Los controles de balance pueden disminuir los efectos causados por maniobras repentinas, ráfagas de viento o turbulencias causadas por otros vehículos. Los recomendamos para remolques con grandes superficies de área, tales como remolques de viaje. Los modelos con ajuste de fricción pueden ofrecer un mayor control en remolques que tienen un bajo porcentaje de peso en la horquilla.

OTRO EQUIPO ÚTIL

RESORTES A AIRE, AMORTIGUADORES DE AIRE o RESORTES SUPLEMENTARIOS pueden ser de gran utilidad dependiendo del uso que se le dará al enganche. Un **ENFRIADOR DE TRANSMISIÓN** puede ser necesario en caso de que la carga sea demasiado pesada. Muchos estados exigen **ESPEJOS DE REMOLQUE** en ambos lados.

PRESIÓN DE LOS NEUMÁTICOS

Revísela frecuentemente. Siga las recomendaciones del fabricante del remolque y del vehículo remolcador. Inadecuada presión en los neumáticos puede causar desbalance del remolque.

REVISE SU EQUIPO / REEMPLACE LAS PARTES DESGASTADAS

Revise la bola de enganche, la junta de encastre, las cadenas, los pernos, los seguros y todas las otras conexiones **CADA VEZ ANTES DE USAR EL REMOLQUE**. Revise nuevamente cada vez que se detenga a descansar o a obtener combustible.

ADVERTENCIA

NO MODIFIQUE LOS PRODUCTOS REESE. INSTALE SOLO EN VEHÍCULOS ESPECIFICADOS QUE ESTEN EN BUENAS CONDICIONES. LOS PRODUCTOS DE REMOLQUE REESE HAN SIDO DISEÑADOS PARA REMOLCAR REMOLQUES. USE SOLAMENTE PARA ESTE PROPÓSITO. No los use como transportadores de cargamento, transportadores de motocicletas, elevadores de barco o dispositivos de alineación de junta de encastre. No extienda la estructura original. No los use para empujar o jalar el vehículo remolcador. No los use como un punto para levantar con el gato. No fije nada con o en lugar de la bola de enganche. Cualquier excepción a lo anterior requiere aprobación escrita por parte de REESE PRODUCTS, Inc. **NO REMOLQUE REMOLQUES MÚLTIPLES.** Remolcar un remolque detrás del otro puede causar gran inestabilidad y pérdida de control. **EL NO ACATAR ESTAS ADVERTENCIAS Y NO SEGUIR LAS INSTRUCCIONES, PUEDE TRAER COMO CONSECUENCIA CHOQUE DEL VEHÍCULO, DAÑO A PROPIEDAD Y LESIONES PERSONALES.**

NO SOBRECARGUE NINGÚN ELEMENTO DE SU SISTEMA DE REMOLQUE

HECHO EN EE.UU.

IMPORTADOR: ZONE COMPRA, S DE R.L. DE C.V. AV. GUERRERO NO. 2911-B. COL. GUERRERO, NUEVO LAREDO, TAMAULIPAS, MEXICO 88240 R.F.C.: ZCO-980914-198 (867) 719-2683
EXPORTADOR: AUTOZONE TEXAS, L.P. P.O. BOX 2198, MEMPHIS, TN 38101